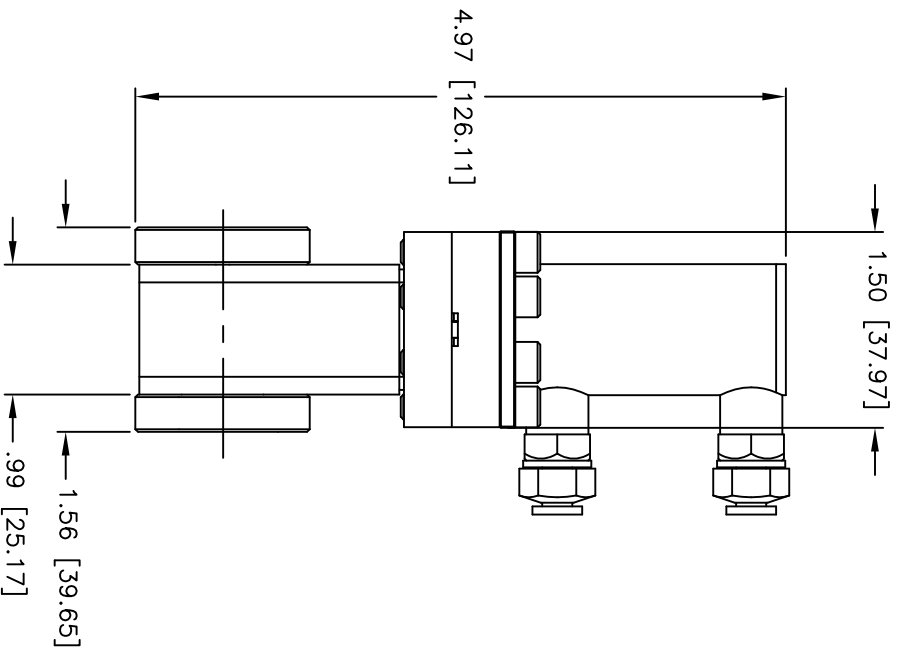
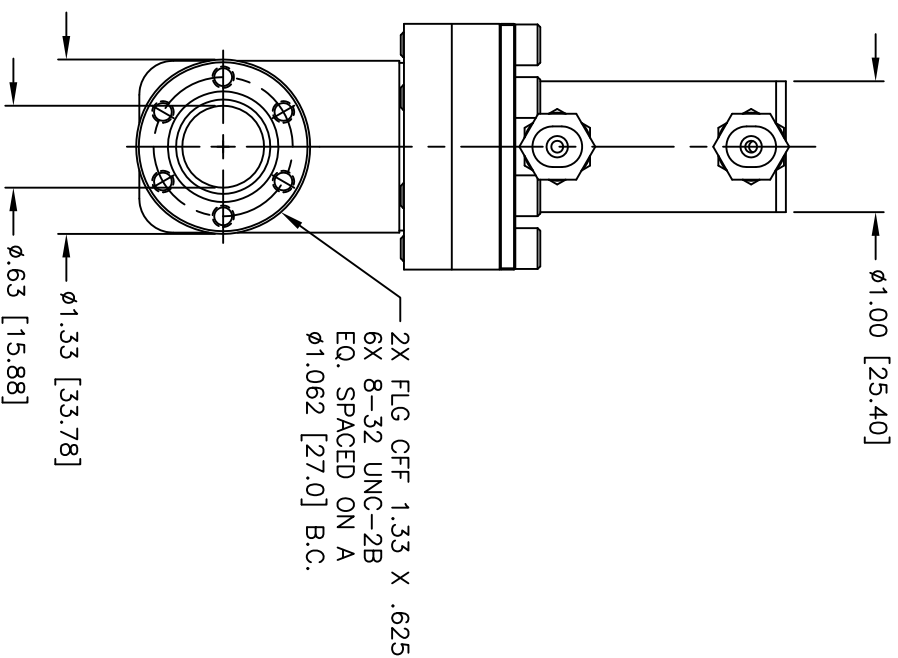


CARRIAGE SIDE



GATE (SEAL) SIDE



2X FLG CFF 1.33 X .625
6X 8-32 UNC-2B
EQ. SPACED ON A
 $\phi 1.062$ [27.0] B.C.

OUTLINE DIMENSION DRAWING

DRAWING NUMBER

0261-5BX

DRAWING TITLE

G .625" RMSB/PNU/CFF
MODEL #11222-0060

REVISION

B



12880 MOYA BLVD., RENO, NV 89506