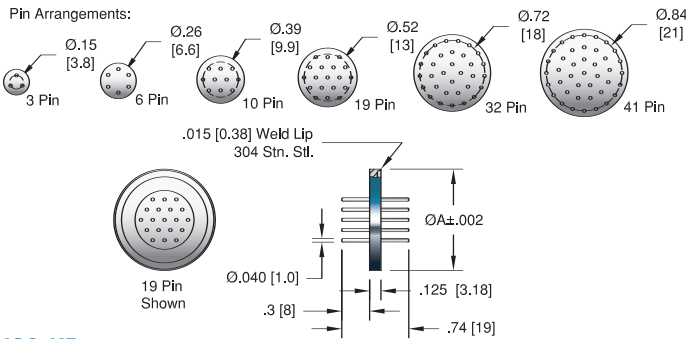
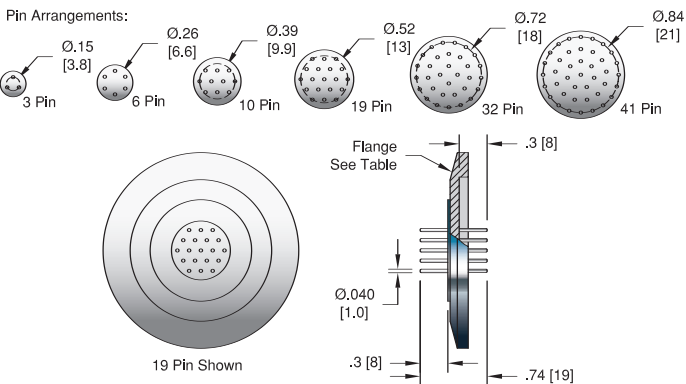


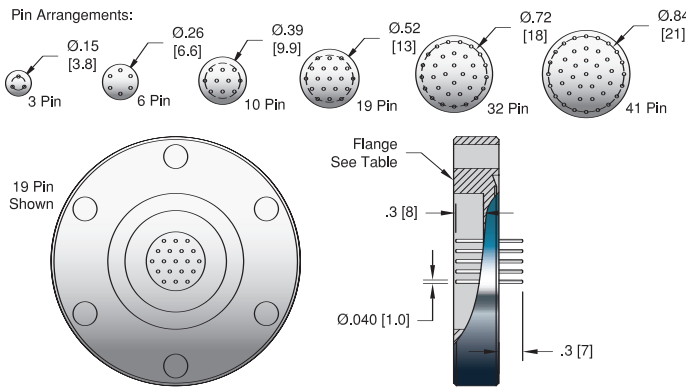
**Straight Conductor Weldable**



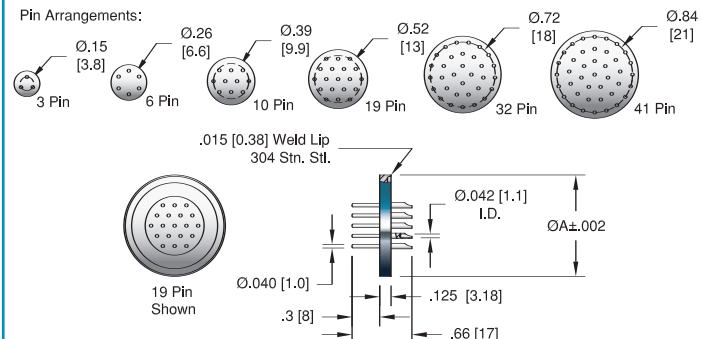
**ISO KF**



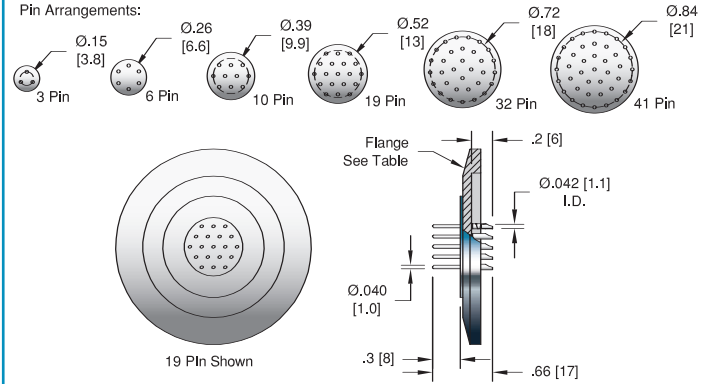
**ConFlat**



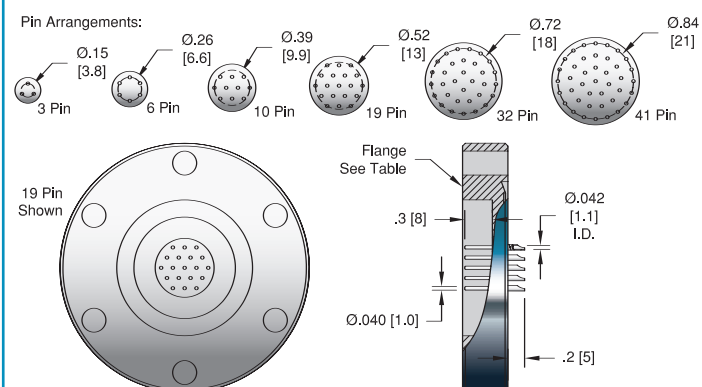
**Straight/Solder Cup Conductor Weldable**



**ISO KF**



**ConFlat**



**Specifications**

**Materials**

- Housing: 304 Stainless steel
- Pins: 330 Stainless steel (Nickel plated)
- Insulation: Glass-ceramic
- Magnetic Materials: No

**Voltage Rating** 1 kV DC

**Current Rating** 5 Amps per pin

**Temperature Range** -269°C to 450°C, ISO KF -25°C to 205°C

**Pressure @ 20°C** ISO KF 0 PSIG

3 Pin: 550 PSIG (38 Bar)	19 Pin: 400 PSIG (28 Bar)
6 Pin: 500 PSIG (34 Bar)	32 Pin: 375 PSIG (26 Bar)
10 Pin: 450 PSIG (31 Bar)	41 Pin: 350 PSIG (24 Bar)



FEEDTHROUGH



NO. PINS	PIN TYPE	INSTALLATION	PART NUMBER
3	.040 [1.0] Straight	Weld	18840-01-W
6	.040 [1.0] Straight	Weld	18841-01-W
10	.040 [1.0] Straight	Weld	18842-01-W
19	.040 [1.0] Straight	Weld	18843-01-W
32	.040 [1.0] Straight	Weld	18844-01-W
41	.040 [1.0] Straight	Weld	18845-01-W



ISO FLANGE			
NO. PINS	PIN TYPE	INSTALLATION	PART NUMBER
3	.040 [1.0] Straight	NW25KF	17040-01-KF
6	.040 [1.0] Straight	NW40KF	17041-01-KF
10	.040 [1.0] Straight	NW40KF	17042-01-KF
19	.040 [1.0] Straight	NW40KF	17043-01-KF
32	.040 [1.0] Straight	NW40KF	17044-01-KF
41	.040 [1.0] Straight	NW50KF	17045-01-KF



CONFLAT FLANGE			
NO. PINS	PIN TYPE	INSTALLATION	PART NUMBER
3	.040 [1.0] Straight	2 3/4" (NW35CF)	17020-01-CF
6	.040 [1.0] Straight	2 3/4" (NW35CF)	17021-01-CF
10	.040 [1.0] Straight	2 3/4" (NW35CF)	17022-01-CF
19	.040 [1.0] Straight	2 3/4" (NW35CF)	17023-01-CF
32	.040 [1.0] Straight	2 3/4" (NW35CF)	17024-01-CF
41	.040 [1.0] Straight	3 3/8" (NW50CF)	17025-01-CF



3	.040 [1.0] Solder Cup	Weld	18850-01-W
6	.040 [1.0] Solder Cup	Weld	18851-01-W
10	.040 [1.0] Solder Cup	Weld	18852-01-W
19	.040 [1.0] Solder Cup	Weld	18853-01-W
32	.040 [1.0] Solder Cup	Weld	18854-01-W
41	.040 [1.0] Solder Cup	Weld	18855-01-W



ISO FLANGE			
NO. PINS	PIN TYPE	INSTALLATION	PART NUMBER
3	.040 [1.0] Solder Cup	NW25KF	17050-01-KF
6	.040 [1.0] Solder Cup	NW40KF	17051-01-KF
10	.040 [1.0] Solder Cup	NW40KF	17052-01-KF
19	.040 [1.0] Solder Cup	NW40KF	17053-01-KF
32	.040 [1.0] Solder Cup	NW40KF	17054-01-KF
41	.040 [1.0] Solder Cup	NW50KF	17055-01-KF



CONFLAT FLANGE			
NO. PINS	PIN TYPE	INSTALLATION	PART NUMBER
3	.040 [1.0] Solder Cup	2 3/4" (NW35CF)	17030-01-CF
6	.040 [1.0] Solder Cup	2 3/4" (NW35CF)	17031-01-CF
10	.040 [1.0] Solder Cup	2 3/4" (NW35CF)	17032-01-CF
19	.040 [1.0] Solder Cup	2 3/4" (NW35CF)	17033-01-CF
32	.040 [1.0] Solder Cup	2 3/4" (NW35CF)	17034-01-CF
41	.040 [1.0] Solder Cup	3 3/8" (NW50CF)	17035-01-CF



TYPE	MATERIAL	DESCRIPTION	PART NUMBER
0.040 Crimp Contacts	Copper Alloy - Gold Flash	Accepts wire up to 0.040 [1.0]	16167-03-A†
Crimp Tool		For 0.025" - 0.075" Crimp Diameters	2840-05

\*Contacts priced and sold in packages of 5. †Shown in photo. See the Accessories section for more information on all accessories.

