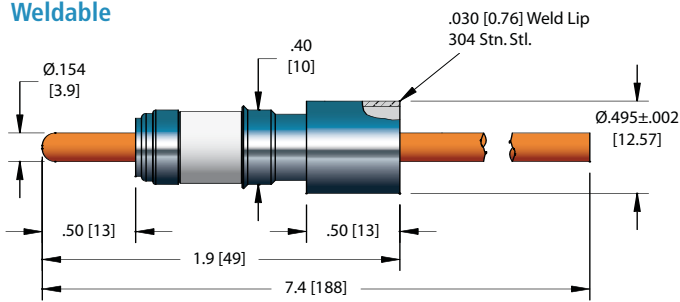
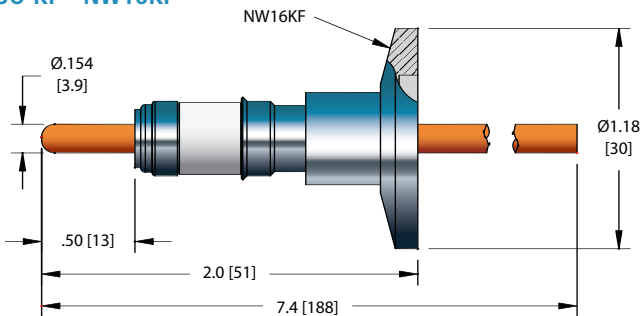


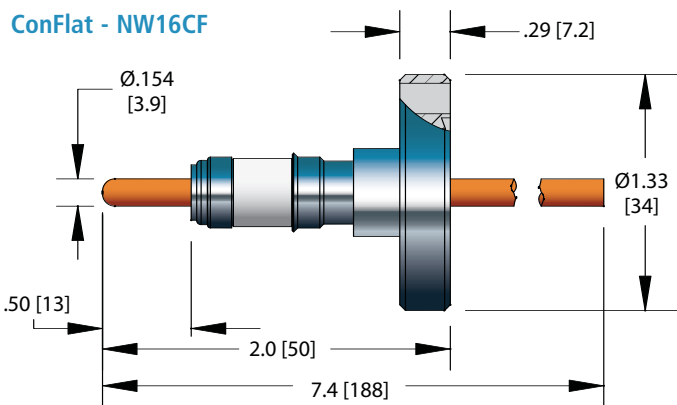
Weldable



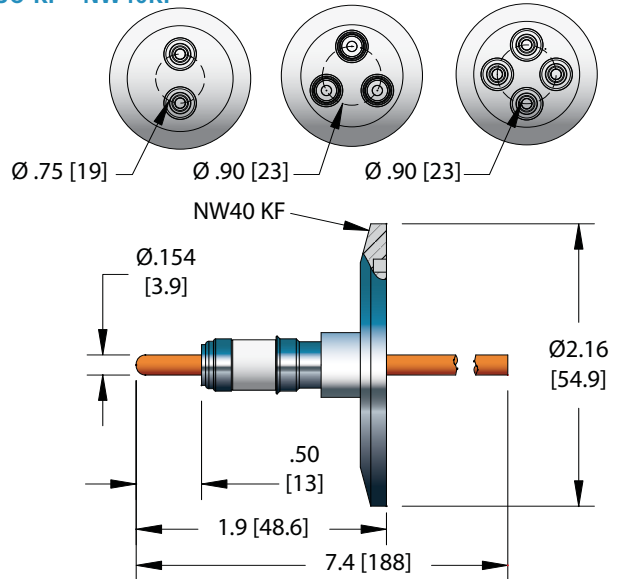
ISO KF - NW16KF



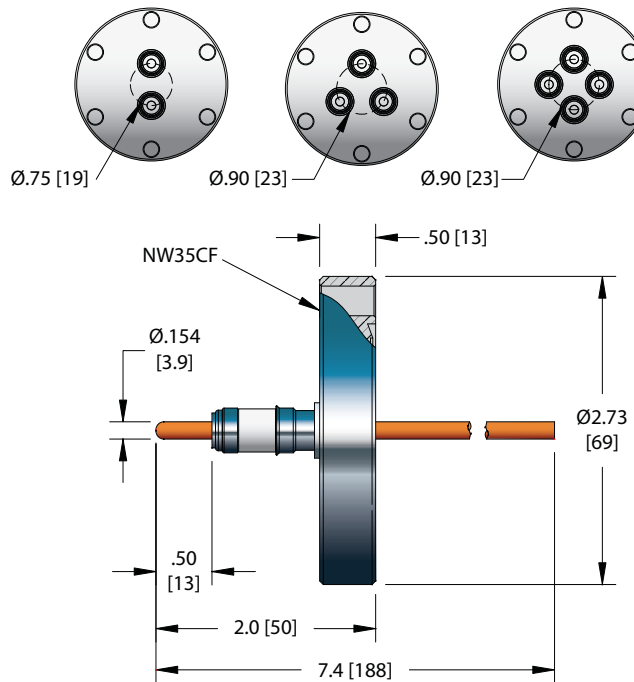
ConFlat - NW16CF



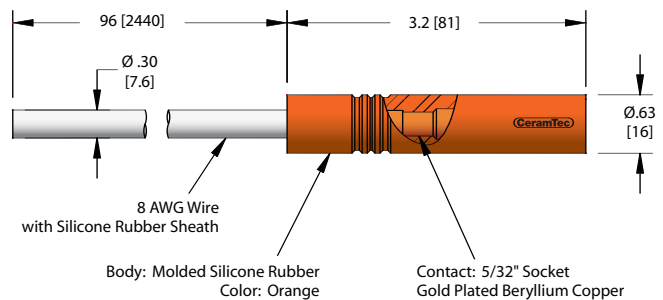
ISO KF - NW40KF



ConFlat - NW35CF



.154 Power Plug



Specifications

Materials

- Housing: 304 Stainless steel
- Pin: See table
- Insulation: Alumina ceramic
- Magnetic Materials: Yes

Voltage Rating 10 kV DC*

Current Rating See table

Temperature Range -269°C to 450°C, ISO KF -25°C to 205°C

Pressure @ 20°C 1000 PSIG (69 Bar), ISO KF 0 PSIG

*When used with air side cable assembly.



FEEDTHROUGH



Weldable

NO. PINS	CONDUCTOR		INSTALLATION	PART NUMBER
	AMPS	MATERIAL		
1	30	Nickel	Weld	21032-02-W
1	100	Copper	Weld	21032-01-W

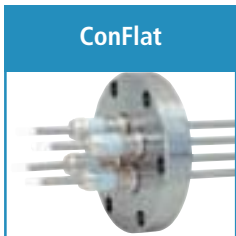
ISO FLANGE



ISO KF

1	30	Nickel	NW16KF	21134-02-KF
1	100	Copper	NW16KF	21134-01-KF
2	30	Nickel	NW40KF	21158-02-KF
2	100	Copper	NW40KF	21158-01-KF
3	30	Nickel	NW40KF	21159-02-KF
3	100	Copper	NW40KF	21159-01-KF
4	30	Nickel	NW40KF	21160-02-KF
4	100	Copper	NW40KF	21160-01-KF

CONFLAT FLANGE



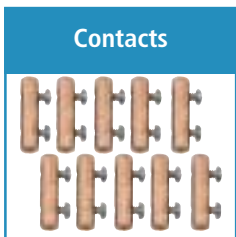
ConFlat

1	30	Nickel	1 1/3" (NW16CF)	21131-02-CF
1	100	Copper	1 1/3" (NW16CF)	21131-01-CF
2	30	Nickel	2 3/4" (NW35CF)	21154-02-CF
2	100	Copper	2 3/4" (NW35CF)	21154-01-CF
3	30	Nickel	2 3/4" (NW35CF)	21155-02-CF
3	100	Copper	2 3/4" (NW35CF)	21155-01-CF
4	30	Nickel	2 3/4" (NW35CF)	21156-02-CF
4	100	Copper	2 3/4" (NW35CF)	21156-01-CF



Air Side Cable Assembly

TYPE	CABLE TYPE	LENGTH	VOLTAGE DC	CONDUCTOR AMPS	TEMPERATURE °C MIN	TEMPERATURE °C MAX	PART NUMBER
.154 Power Plug	8 AWG	8'	10 kV	75	-55	125	21094-01-A



Contacts

TYPE	MATERIAL	DESCRIPTION	PART NUMBER
0.154 Barrel Type Contacts	Beryllium Copper	Accepts wire up to 0.154 [3.9]	7332-07-A

*When used with air side cable assembly. **Contacts priced and sold in packages of 10. See the Accessories section for more information on all accessories.