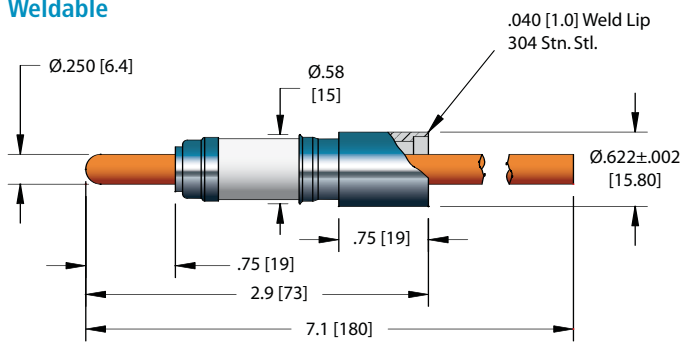
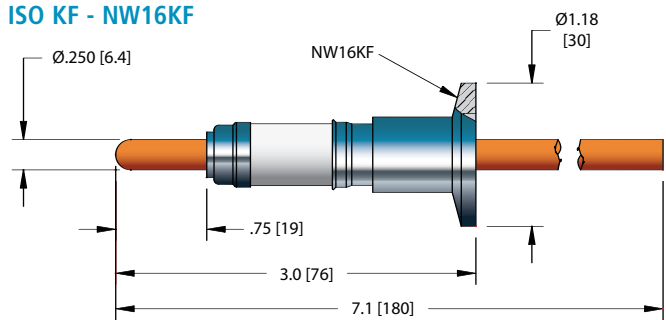


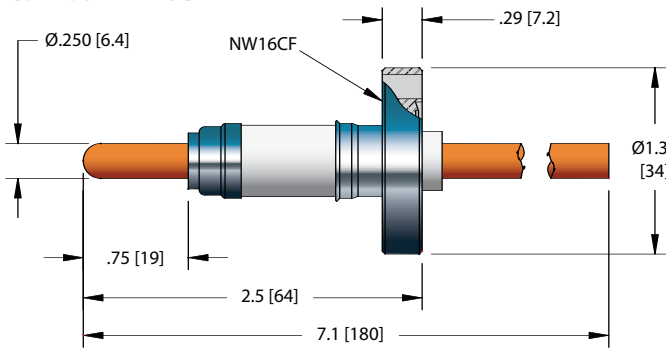
**Weldable**



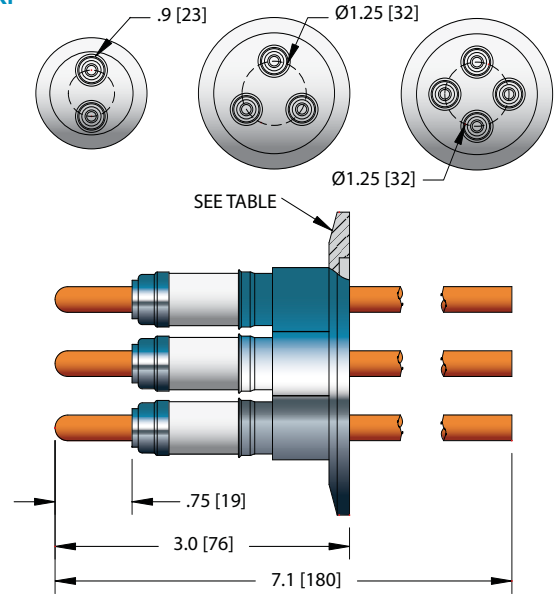
**ISO KF - NW16KF**



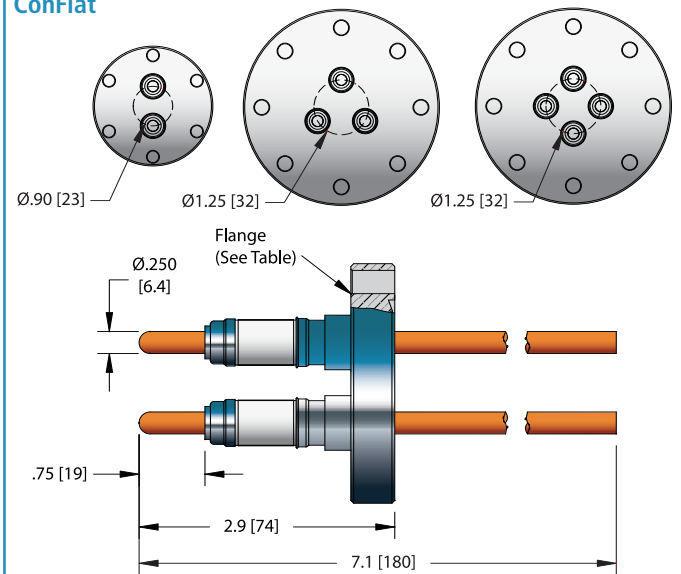
**ConFlat - NW16CF**



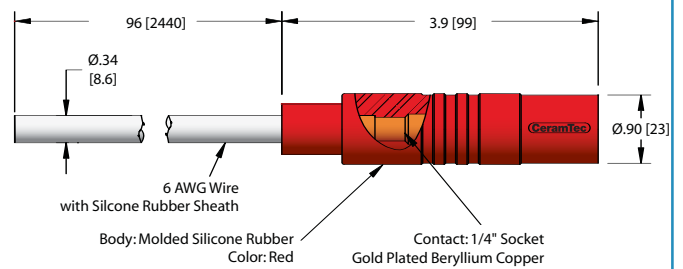
**ISO KF**



**ConFlat**



**.250 Power Plug**



**Specifications**

**Materials**

- Housing: 304 Stainless steel
- Pin: See table
- Insulation: Alumina ceramic
- Magnetic Materials: Yes

**Voltage Rating** 15 kV DC\*

**Current Rating** See table

**Temperature Range** -269°C to 450°C, ISO KF -25°C to 205°C

**Pressure @ 20°C** 750 PSIG (52 Bar), ISO KF 0 PSIG

\*When used with air side cable assembly.



FEEDTHROUGH



**Weldable**

NO. PINS	CONDUCTOR		INSTALLATION	PART NUMBER
	AMPS	MATERIAL		
1	56	Nickel	Weld	21414-07-W
1	185	Copper	Weld	21414-01-W

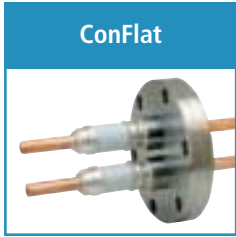
**ISO FLANGE**



**ISO KF**

1	56	Nickel	NW16KF	21308-02-KF
1	185	Copper	NW16KF	21308-01-KF
1	56	Nickel	NW40KF	21278-02-KF
1	185	Copper	NW40KF	21278-01-KF
2	56	Nickel	NW40KF	21278-04-KF
2	185	Copper	NW40KF	21278-03-KF
3	56	Nickel	NW50KF	21278-06-KF
3	185	Copper	NW50KF	21278-05-KF
4	56	Nickel	NW50KF	21278-08-KF
4	185	Copper	NW50KF	21278-07-KF

**CONFLAT FLANGE**



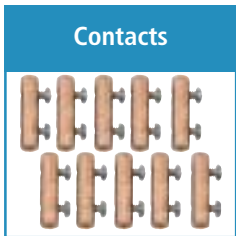
**ConFlat**

1	56	Nickel	1 1/3" (NW16CF)	21309-02-CF
1	185	Copper	1 1/3" (NW16CF)	21309-01-CF
1	56	Nickel	2 3/4" (NW35CF)	21280-02-CF
1	185	Copper	2 3/4" (NW35CF)	21280-01-CF
2	56	Nickel	2 3/4" (NW35CF)	21280-04-CF
2	185	Copper	2 3/4" (NW35CF)	21280-03-CF
3	56	Nickel	4 1/2" (NW63CF)	21280-06-CF
3	185	Copper	4 1/2" (NW63CF)	21280-05-CF
4	56	Nickel	4 1/2" (NW63CF)	21280-08-CF
4	185	Copper	4 1/2" (NW63CF)	21280-07-CF



**Air Side Cable Assembly**

TYPE	CABLE TYPE	LENGTH	VOLTAGE DC	CONDUCTOR AMPS	TEMPERATURE °C MIN	TEMPERATURE °C MAX	PART NUMBER
.250 Power Plug	6 AWG	8'	25 kV	100	-55	125	20956-02-A



**Contacts**

TYPE	MATERIAL	DESCRIPTION	PART NUMBER
0.250 Barrel Type Contacts	Beryllium Copper	Accepts wire up to 0.250 [6.4]	7332-06-A <sup>†</sup>
0.250 Clamp Type Contacts	Copper	Accepts wire up to 0.250 [6.4]	18740-01-A

\*When used with air side cable assembly. \*\*Contacts priced and sold in packages of 10. <sup>†</sup>Shown in photo. See the Accessories section for more information on all accessories.