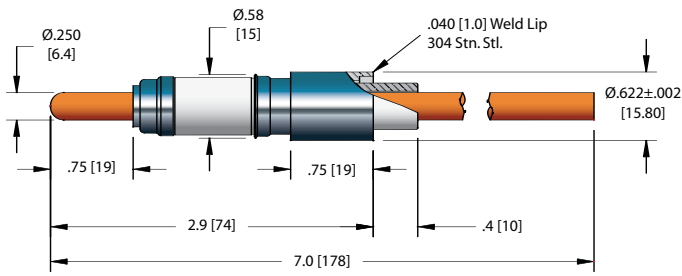
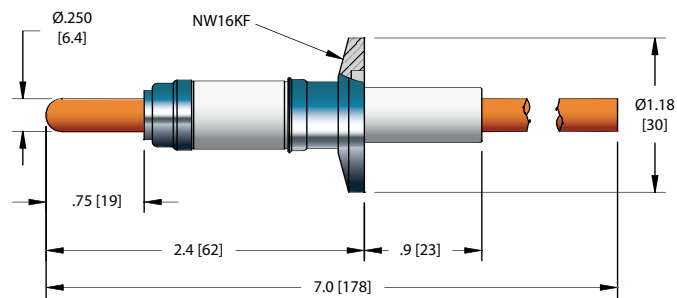


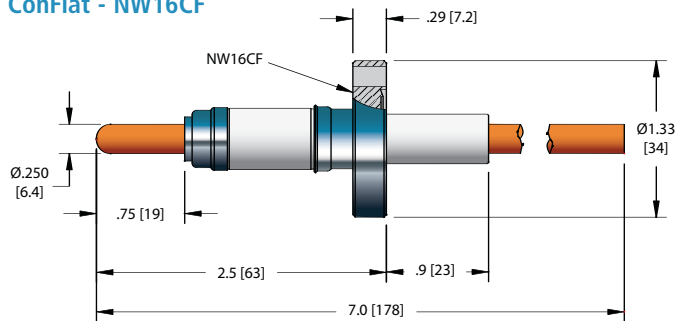
**Weldable**



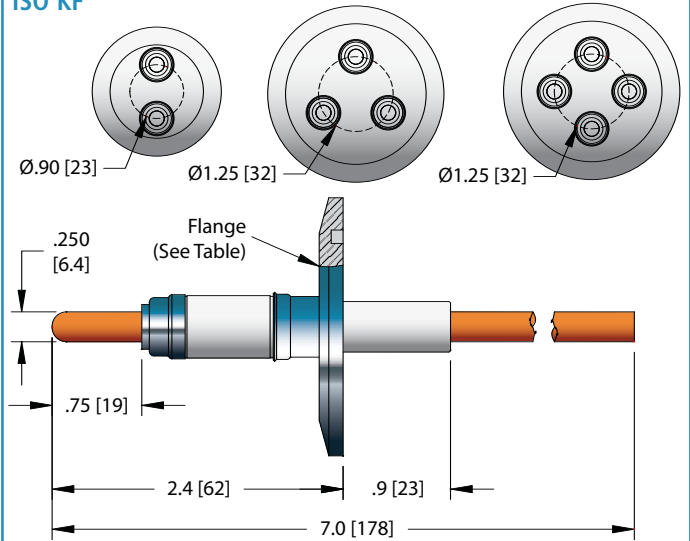
**ISO KF - NW16KF**



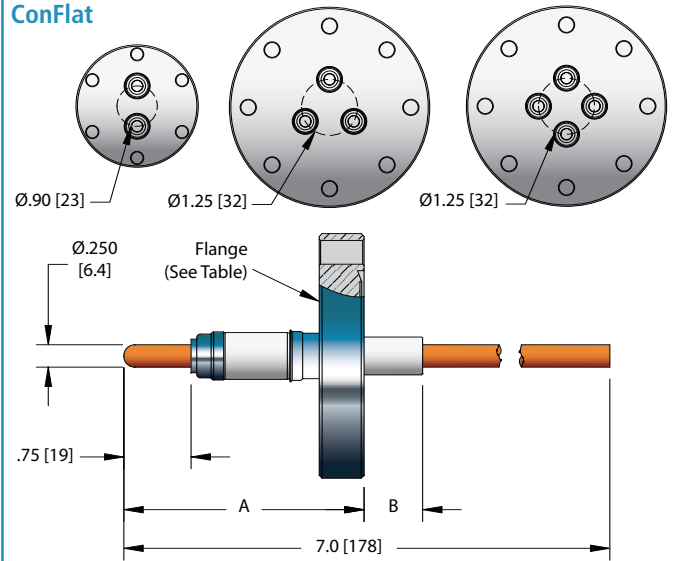
**ConFlat - NW16CF**



**ISO KF**



**ConFlat**



**Specifications**

**Materials**

- Housing: 304 Stainless steel
- Pin: See table
- Insulation: Alumina ceramic
- Magnetic Materials: Yes

**Voltage Rating** 25 kV DC\*

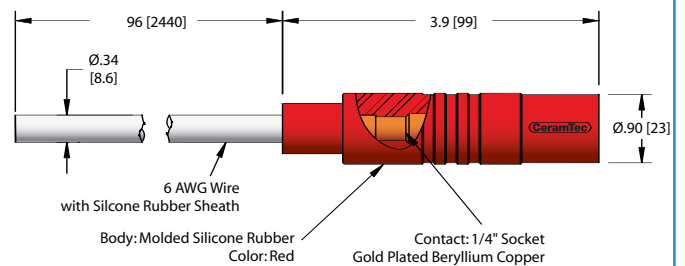
**Current Rating** 185 Amps

**Temperature Range** -269°C to 450°C, ISO KF -25°C to 205°C

**Pressure @ 20°C** 750 PSIG (52 Bar), ISO KF 0 PSIG

\*When used with air side cable assembly.

**.250 Power Plug**





FEEDTHROUGH



NO. PINS	AMPS	CONDUCTORS MATERIAL	INSTALLATION	DIMENSIONS		PART NUMBER
				A	B	
1	185	Copper	Weld	-	-	20955-01-W
1	56	Nickel	Weld	-	-	20955-02-W

**ISO FLANGE**



1	185	Copper	NW16KF	-	-	21133-01-KF
1	56	Nickel	NW16KF	-	-	21133-02-KF
2	185	Copper	NW40KF	-	-	21149-01-KF
2	56	Nickel	NW40KF	-	-	21149-02-KF
3	185	Copper	NW50KF	-	-	21150-01-KF
3	56	Nickel	NW50KF	-	-	21150-02-KF
4	185	Copper	NW50KF	-	-	21151-01-KF
4	56	Nickel	NW50KF	-	-	21151-02-KF

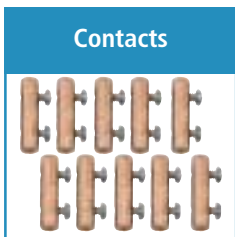
**CONFLAT FLANGE**



1	185	Copper	1 1/3" (NW16CF)	-	-	21130-01-CF
1	56	Nickel	1 1/3" (NW16CF)	-	-	21130-02-CF
1	185	Copper	2 3/4" (NW35CF)	2.68 [68]	.65 [17]	21144-01-CF
1	56	Nickel	2 3/4" (NW35CF)	2.68 [68]	.65 [17]	21144-02-CF
2	185	Copper	2 3/4" (NW35CF)	2.68 [68]	.65 [17]	21145-01-CF
2	56	Nickel	2 3/4" (NW35CF)	2.68 [68]	.65 [17]	21145-02-CF
3	185	Copper	4 1/2" (NW63CF)	2.87 [73]	.47 [12]	21146-01-CF
3	56	Nickel	4 1/2" (NW63CF)	2.87 [73]	.47 [12]	21146-02-CF
4	185	Copper	4 1/2" (NW63CF)	2.87 [73]	.47 [12]	21147-01-CF
4	56	Nickel	4 1/2" (NW63CF)	2.87 [73]	.47 [12]	21147-02-CF



TYPE	CABLE TYPE	LENGTH	VOLTAGE DC	CONDUCTOR AMPS	TEMPERATURE °C MIN	TEMPERATURE °C MAX	PART NUMBER
.250 Power Plug	6 AWG	8'	25 kV	100	-55	125	20956-02-A



TYPE	MATERIAL	DESCRIPTION	PART NUMBER
0.250 Barrel Type Contacts	Beryllium Copper	Accepts wire up to 0.250 [6.4]	7332-06-A†
0.250 Clamp Type Contacts	Copper	Accepts wire up to 0.250 [6.4]	18740-01-A

\*When used with air side cable assembly. \*\*Contacts priced and sold in packages of 10. †Shown in photo. See the Accessories section for more information on all accessories.