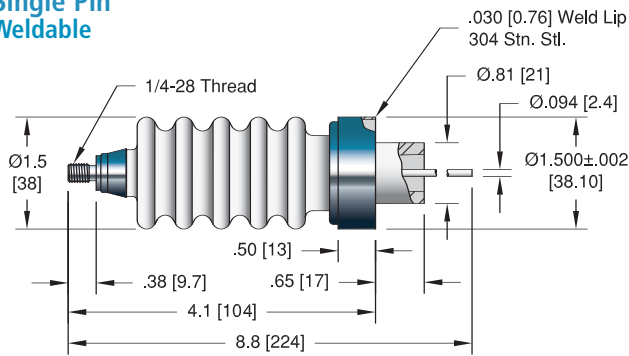
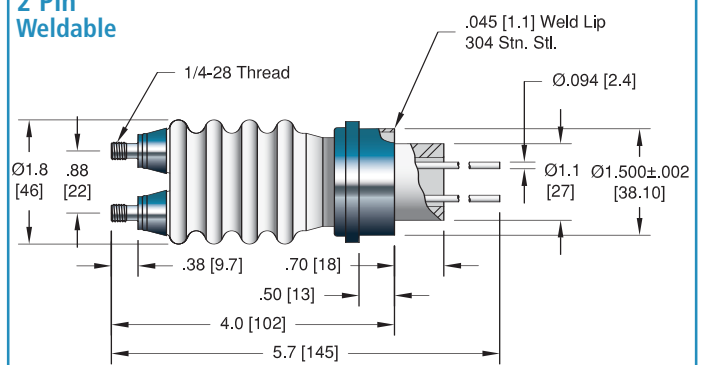


FEEDTHROUGH

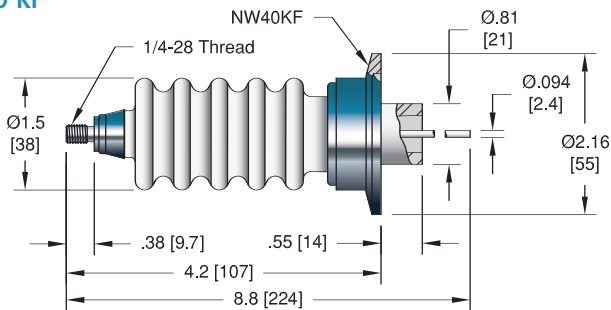
Single Pin Weldable



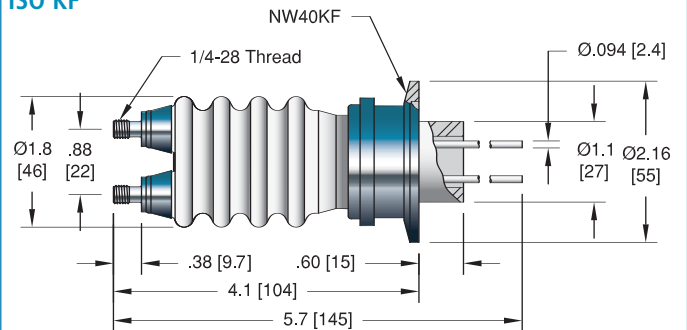
2 Pin Weldable



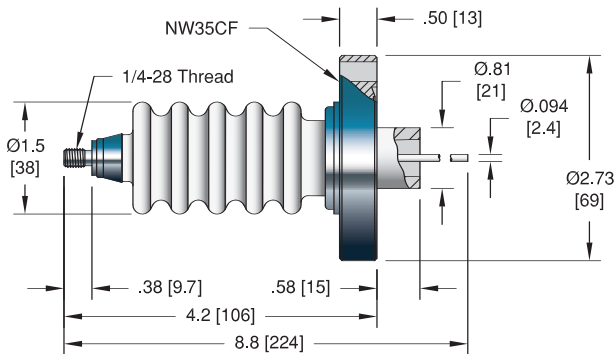
ISO KF



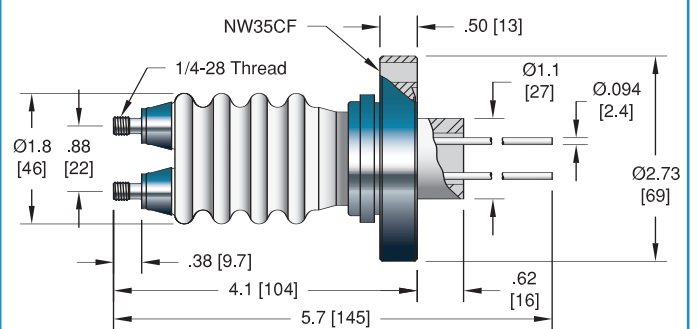
ISO KF



ConFlat



ConFlat



Specifications

Materials

- Housing: 304 Stainless steel
- Pin: 304 Stainless steel
- Insulation: Alumina ceramic
- Magnetic Materials: Yes

Voltage Rating 30 kV DC

Current Rating 4 Amps per pin

Temperature Range -269°C to 450°C, ISO KF -25°C to 205°C

Pressure @ 20°C 250 PSIG (17 Bar), ISO KF 0 PSIG



NO. PINS	CONDUCTORS AMPS	MATERIAL	INSTALLATION	VOLTAGE DC	PART NUMBER
1	4	304 Stn. Stl.	Weld	30 kV	6530-03-W

ISO FLANGE

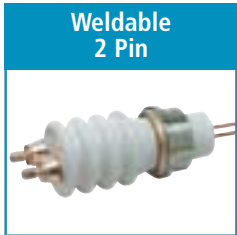


1	4	304 Stn. Stl.	NW40KF	30 kV	17100-01-KF
---	---	---------------	--------	-------	-------------

CONFLAT FLANGE



1	4	304 Stn. Stl.	2 3/4" (NW35CF)	30 kV	16729-03-CF
---	---	---------------	-----------------	-------	-------------



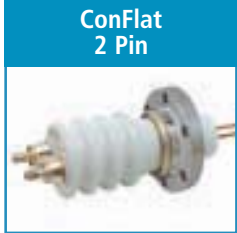
2	4	304 Stn. Stl.	Weld	30 kV	6532-05-W
---	---	---------------	------	-------	-----------

ISO FLANGE

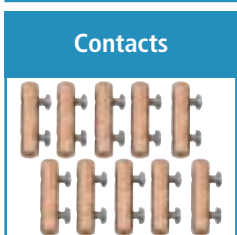


2	4	304 Stn. Stl.	NW40KF	30 kV	17103-03-KF
---	---	---------------	--------	-------	-------------

CONFLAT FLANGE



2	4	304 Stn. Stl.	2 3/4" (NW35CF)	30 kV	16764-06-CF
---	---	---------------	-----------------	-------	-------------



TYPE	MATERIAL	DESCRIPTION	PART NUMBER
0.094 Set Screw Type Contacts	Beryllium Copper	Accepts wire up to 0.050 [1.3]	7429-01-A
0.094 Barrel Type Contacts	Beryllium Copper	Accepts wire up to 0.094 [2.4]	7332-04-A [†]
Crimp Tool		For 0.025" - 0.075" Crimp Diameters	2840-05

*Contacts priced and sold in packages of 10. [†]Shown in photo. See the Accessories section for more information on all accessories.