



**Specifications**

**Materials**

Shell: 304 Stainless steel  
Pins: Nickel or Molybdenum  
Insulation: Alumina ceramic  
Magnetic Materials: See table

**Voltage Rating** 700 V DC

**Current Rating** See table

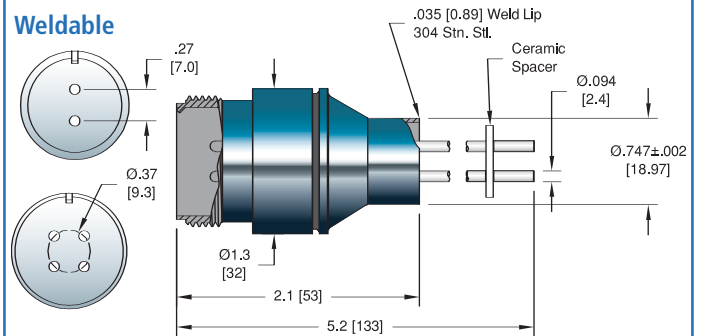
**Temperature Range** -269°C to 450°C, ISO KF -25°C to 205°C

**Pressure @ 20°C** 475 PSIG (33 Bar), ISO KF 0 PSIG

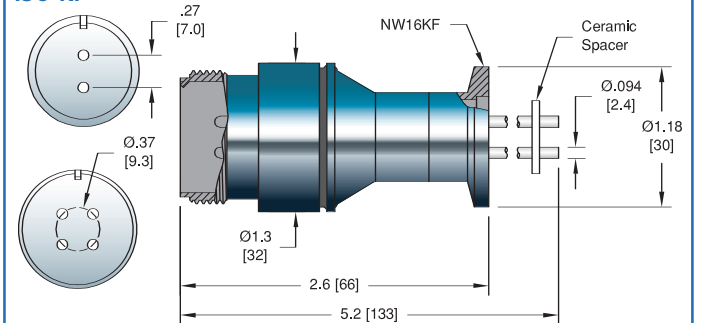
MULTIPIN CONNECTOR

**Ø .094 Conductor**

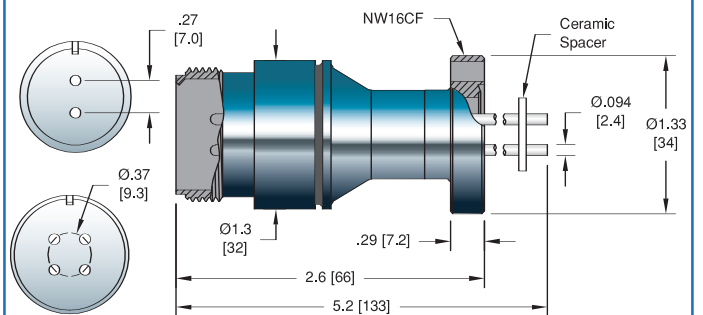
**Weldable**



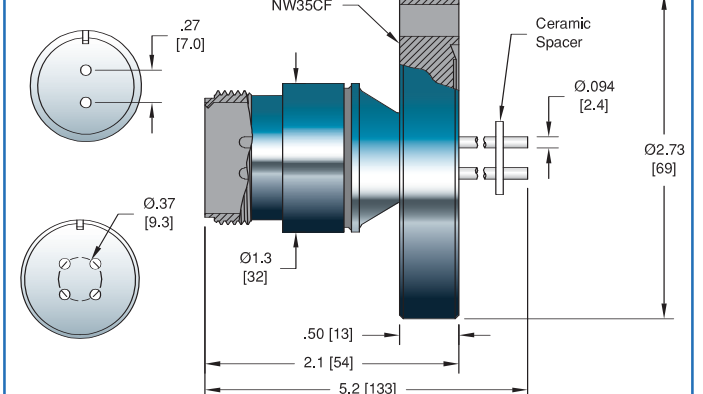
**ISO KF**



**ConFlat - NW16CF**



**ConFlat - NW35CF**





NO. PINS	CONDUCTORS AMPS	MATERIAL	INSTALLATION	MAGNETIC MATERIALS	PART NUMBER
2	16	Nickel	Weld	Yes	18093-02-W
2	28	Molybdenum	Weld	No	18093-04-W
4	16	Nickel	Weld	Yes	18093-06-W
4	28	Molybdenum	Weld	No	18093-08-W

**ISO FLANGE**



NO. PINS	CONDUCTORS AMPS	MATERIAL	INSTALLATION	MAGNETIC MATERIALS	PART NUMBER
2	16	Nickel	NW16KF	Yes	18094-02-KF
2	28	Molybdenum	NW16KF	No	18094-04-KF
4	16	Nickel	NW16KF	Yes	18094-06-KF
4	28	Molybdenum	NW40KF	No	18094-08-KF

**CONFLAT FLANGE**

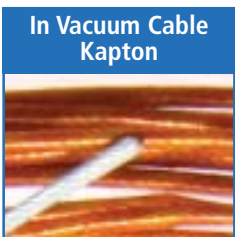


NO. PINS	CONDUCTORS AMPS	MATERIAL	INSTALLATION	MAGNETIC MATERIALS	PART NUMBER
2	16	Nickel	1 1/3" (NW16CF)	Yes	18095-02-CF
2	28	Molybdenum	1 1/3" (NW16CF)	No	18095-04-CF
2	16	Nickel	2 3/4" (NW35CF)	Yes	18096-02-CF
2	28	Molybdenum	2 3/4" (NW35CF)	No	18096-04-CF
4	16	Nickel	1 1/3" (NW16CF)	Yes	18095-06-CF
4	28	Molybdenum	1 1/3" (NW16CF)	No	18095-08-CF
4	16	Nickel	2 3/4" (NW35CF)	Yes	18096-06-CF
4	28	Molybdenum	2 3/4" (NW35CF)	No	18096-08-CF

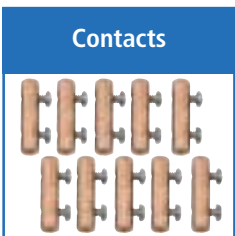


TYPE	VOLTAGE DC	CONDUCTOR AMPS	NO. CONTACTS	DIMENSIONS H L		PART NUMBER
Air Side	700 V	23	2	2.5 [63]	1.2 [32]	18600-01-A
Air Side	700 V	23	4	2.6 [65]	1.4 [36]	18600-02-A

Note that contacts are included with all plugs.



VOLTAGE DC	CONDUCTOR AMPS	TYPE	LENGTH	WIRE DIAMETER	INSULATION DIAMETER	PART NUMBER
850 V	20	12 AWG Stranded	15'	37 x 0.013	Ø .101	21702-02-A



TYPE	MATERIAL	DESCRIPTION	PART NUMBER
0.094 Barrel Type	Beryllium Copper	Accepts .094 [2.4] Pin	7332-04-A†
0.094 Set Screw Type	Beryllium Copper	Accepts .094 [2.4] Pin	7429-01-A

\*Contacts priced and sold in packages of 10. †Shown in photo. See the Accessories section for more information on all accessories.