



Specifications

Materials

- Shell: 304 Stainless steel
- Pins: Nickel or molybdenum
- Insulation: Alumina ceramic
- Magnetic Materials: See table

Voltage Rating 700 V DC

Current Rating See table

Temperature Range -269°C to 450°C, ISO KF -25°C to 205°C

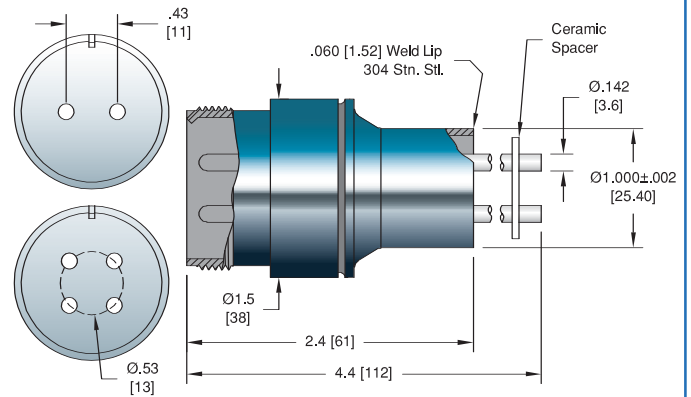
Pressure @ 20°C ISO KF 0 PSIG

- 2 Pin - 600 PSIG (41 Bar)
- 4 Pin - 500 PSIG (34 Bar)

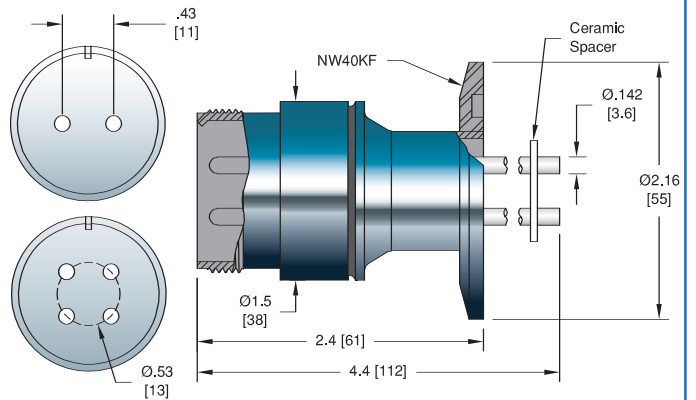
MULTIPIN CONNECTOR

Ø .142 Conductor

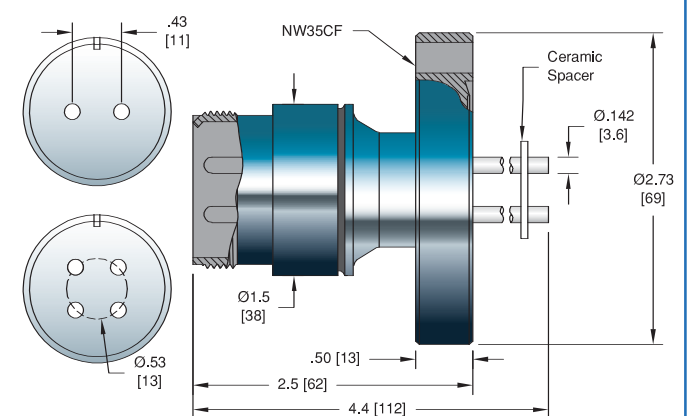
Weldable



ISO KF



ConFlat





NO. PINS	CONDUCTORS AMPS	MATERIAL	INSTALLATION	MAGNETIC MATERIALS	PART NUMBER
2	25	Nickel	Weld	Yes	18097-02-W
2	46	Molybdenum	Weld	No	18097-04-W
4	25	Nickel	Weld	Yes	18097-06-W
4	46	Molybdenum	Weld	No	18097-08-W



ISO FLANGE

2	25	Nickel	NW40KF	Yes	18098-02-KF
2	46	Molybdenum	NW40KF	No	18098-04-KF
4	25	Nickel	NW40KF	Yes	18098-06-KF
4	46	Molybdenum	NW40KF	No	18098-08-KF



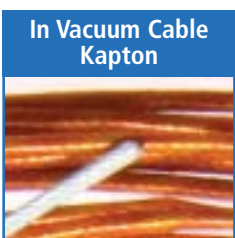
CONFLAT FLANGE

2	25	Nickel	2 3/4" (NW35CF)	Yes	18099-02-CF
2	46	Molybdenum	2 3/4" (NW35CF)	No	18099-04-CF
4	25	Nickel	2 3/4" (NW35CF)	Yes	18099-06-CF
4	46	Molybdenum	2 3/4" (NW35CF)	No	18099-08-CF

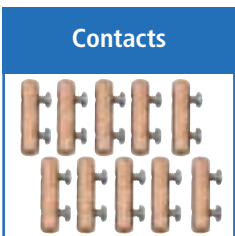


TYPE	VOLTAGE DC	CONDUCTOR AMPS	NO. CONTACTS	DIMENSIONS H L		PART NUMBER
Air Side	700 V	46	2	2.5 [63]	1.2 [32]	18601-01-A
Air Side	700 V	46	4	2.6 [65]	1.4 [36]	18601-02-A

Note that contacts are included with all plugs.



VOLTAGE DC	CONDUCTOR AMPS	TYPE	LENGTH	WIRE DIAMETER	INSULATION DIAMETER	PART NUMBER
850 V	20	12 AWG Stranded	15'	37 x 0.013	Ø .101	21702-02-A



TYPE	MATERIAL	DESCRIPTION	PART NUMBER
0.154 Barrel Type	Beryllium Copper	Accepts 0.154 [3.9] Pin	7332-07-A

*Contacts priced and sold in packages of 10. See the Accessories section for more information on all accessories.