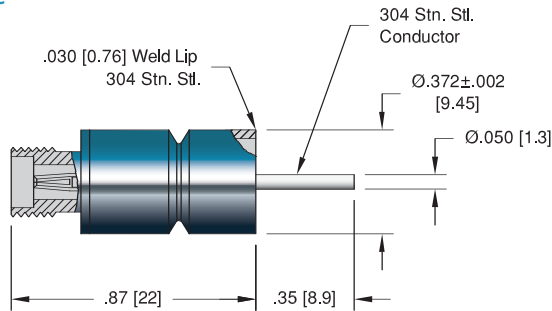
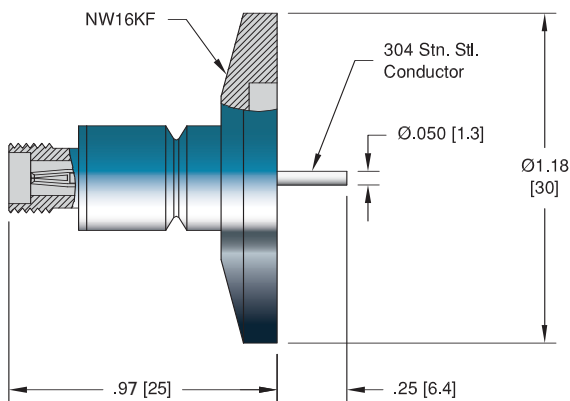


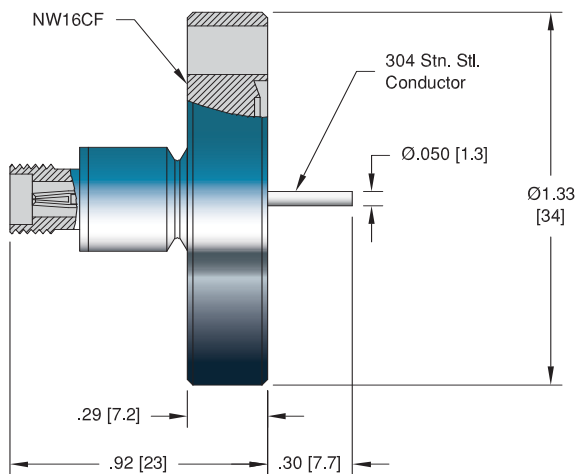
Weldable



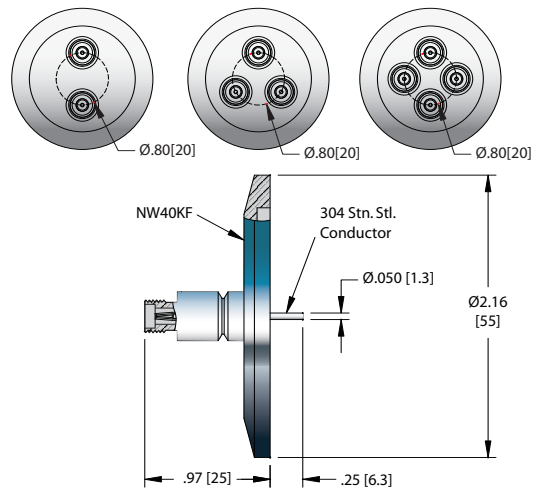
ISO KF - NW16KF



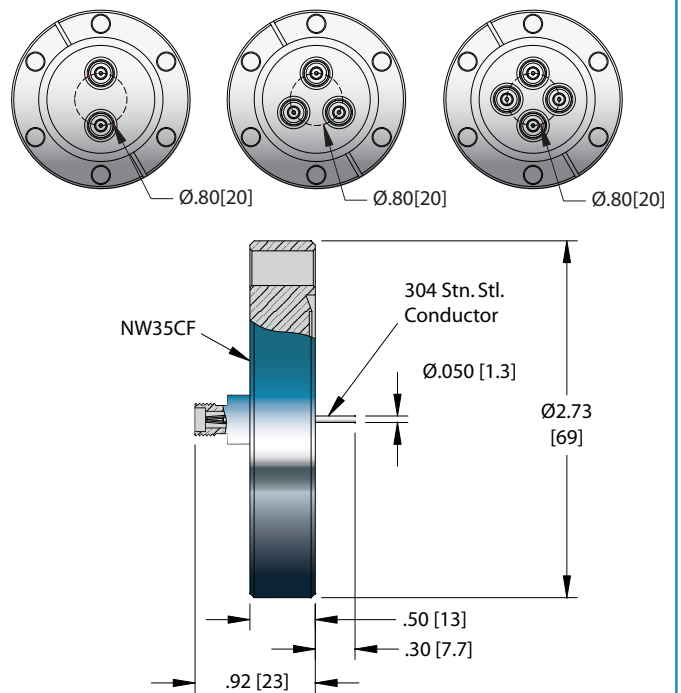
ConFlat - NW16CF



ISO KF - NW40KF



ConFlat - NW35CF



Specifications

Materials

Housing: 304 Stainless steel
Pin: 304 Stainless steel
Insulation: Alumina ceramic
Magnetic Materials: No

Voltage Rating 500 V DC

Current Rating 1.8 Amps

Temperature Range -269°C to 450°C, ISO KF -25°C to 205°C

Pressure @ 20°C See table



Weldable

NO. PINS	INSTALLATION	PRESSURE @ 20°C		PART NUMBER
		PSIG	BAR	
1	Weld	4000	276	8071-02-W

ISO FLANGE



ISO KF

1	NW16KF	-	-	18045-02-KF
2	NW40KF	-	-	21498-01-KF
3	NW40KF	-	-	21499-01-KF
4	NW40KF	-	-	21500-01-KF

CONFLAT FLANGE



ConFlat

1	1 1/3" (NW16CF)	3000	207	18046-02-CF
2	2 3/4" (NW35CF)	1500	103	21495-01-CF
3	2 3/4" (NW35CF)	1500	103	21496-01-CF
4	2 3/4" (NW35CF)	1500	103	21497-01-CF



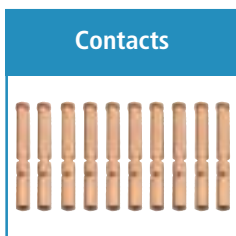
Air Side Plug

TYPE	VOLTAGE DC	CONDUCTOR AMPS	DIMENSIONS		DESCRIPTION	PART NUMBER
			H	L		
Air Side	500 V	5	0.31 [7.9]	0.98 [25]	SMA Plug	6524-02



Air Side Cable Assembly

TYPE	LENGTH	VOLTAGE DC	CONDUCTOR AMPS	TEMPERATURE		PART NUMBER
				MIN	MAX	
50 Ohm SMA – Double Ended	10'	500 V	5	-70	200	21617-01-A



Contacts

TYPE	MATERIAL	DESCRIPTION	PART NUMBER
0.050 Crimp Contacts	Beryllium Copper	Accepts wire up to 0.062 [1.6]	11911-02-X†
0.050 Set Screw Type Contacts	Beryllium Copper	Accepts wire up to 0.050 [1.3]	7429-02-A
0.050 Barrel Type Contacts	Beryllium Copper	Accepts wire up to 0.050 [1.3]	7332-02-A
Crimp Tool		For 0.025" – 0.075" Diameters	2840-05

*Contacts priced and sold in packages of 10. †Shown in photo. See the Accessories section for more information on all accessories.