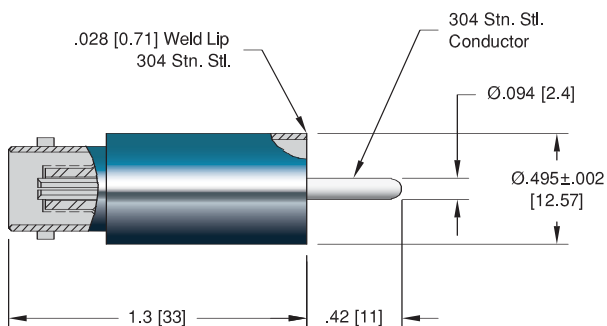
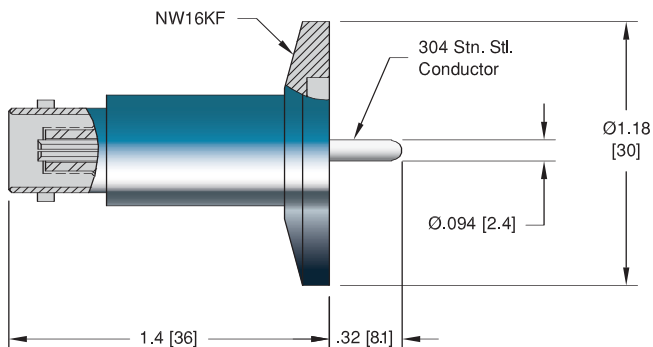


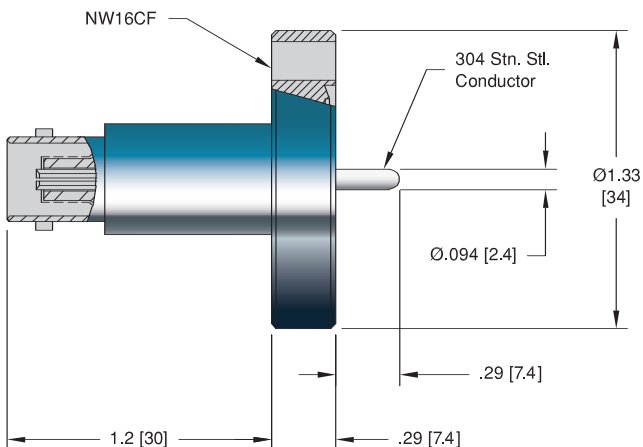
Weldable



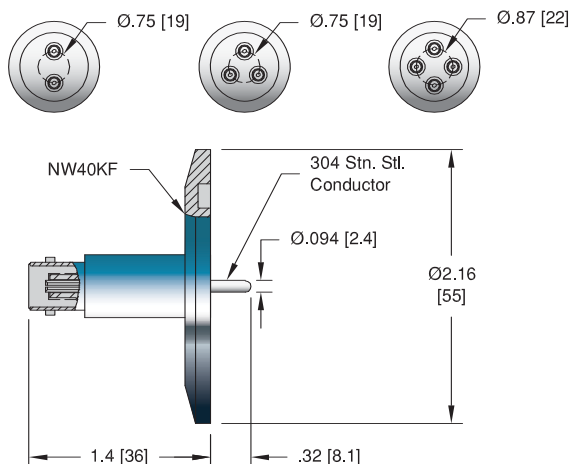
ISO KF - NW16KF



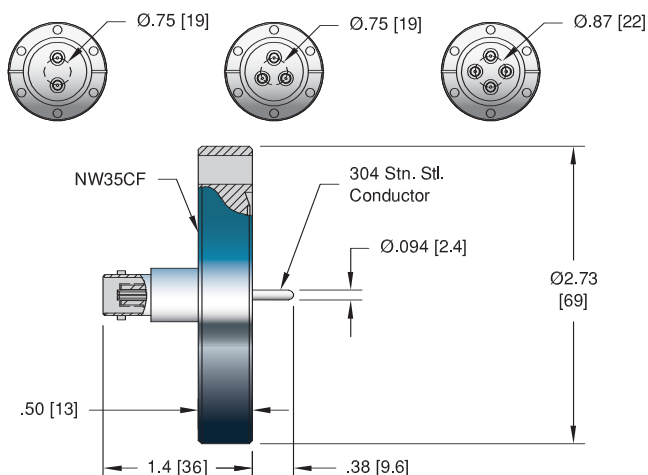
ConFlat - NW16CF



ISO KF - NW40KF



ConFlat - NW35CF



Specifications

Materials

- Housing: 304 Stainless steel
- Pin: 304 Stainless steel
- Insulation: Alumina ceramic
- Magnetic Materials: No

Voltage Rating 500 V DC

Current Rating 3.6 Amps

Temperature Range -269°C to 450°C, ISO KF -25°C to 205°C

Pressure @ 20°C 1400 PSIG (97 Bar), ISO KF 0 PSIG



**Single Ended Weldable**

NO. PINS	INSTALLATION	PART NUMBER
1	Weld	7007-02-W

**Single Ended ISO KF**

**ISO FLANGE**

1	NW16KF	17114-01-KF
1	NW40KF	17114-05-KF
2	NW40KF	17136-01-KF
3	NW40KF	17137-01-KF
4	NW40KF	17138-01-KF

**Single Ended ConFlat**

**CONFLAT FLANGE**

1	1 1/3" ConFlat (NW16CF)	7593-02-CF
1	2 3/4" ConFlat (NW35CF)	7592-02-CF
2	2 3/4" ConFlat (NW35CF)	5822-04-CF
3	2 3/4" ConFlat (NW35CF)	6647-04-CF
4	2 3/4" ConFlat (NW35CF)	7184-05-CF

**Air Side Plug**

TYPE	VOLTAGE DC	CONDUCTOR AMPS	DIMENSIONS H L		DESCRIPTION	PART NUMBER
Air Side	500 V	5	0.56 [14]	1.1 [27]	BNC Plug	7116-02

**Air Side Cable Assembly**

TYPE	LENGTH	VOLTAGE DC	CONDUCTOR AMPS	TEMPERATURE MIN MAX		PART NUMBER
50 Ohm BNC – Double Ended	10'	500 V	5	-40	85	18921-01-A

**Contacts**

TYPE	MATERIAL	DESCRIPTION	PART NUMBER
0.094 Set Screw Type Contacts	Beryllium Copper	Accepts wire up to 0.050 [1.3]	7429-01-A <sup>†</sup>
0.094 Barrel Type Contacts	Beryllium Copper	Accepts wire up to 0.094 [2.4]	7332-04-A

\*Contacts priced and sold in packages of 10. <sup>†</sup>Shown in photo. See the Accessories section for more information on all accessories.

COAXIAL

