



Specifications

Materials

Housing: 52 Nickel Iron
 Pin: 304 Stainless steel
 Insulation: Alumina ceramic
 Magnetic Materials: Yes

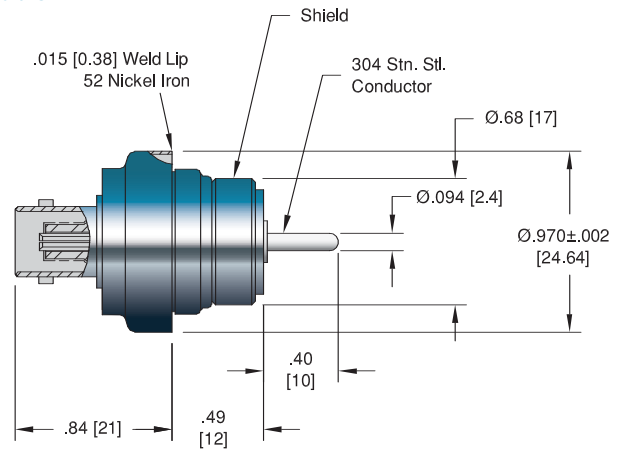
Voltage Rating Pin/Shield: 500 V DC, Shield/Gnd: 2.5 kV DC

Current Rating 3.6 Amps

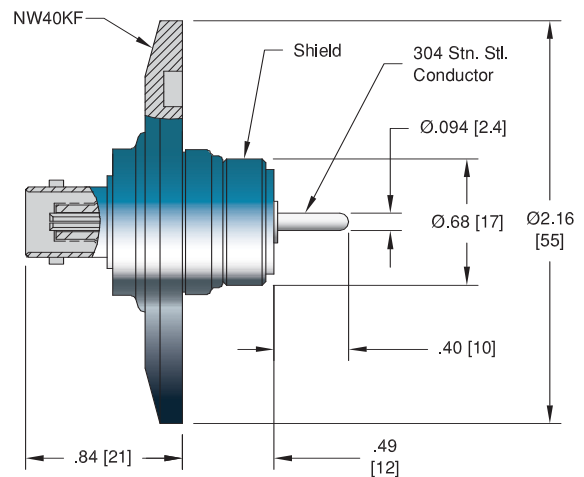
Temperature Range -269°C to 450°C, ISO KF -25°C to 205°C

Pressure @ 20°C 300 PSIG (20 Bar), ISO KF 0 PSIG

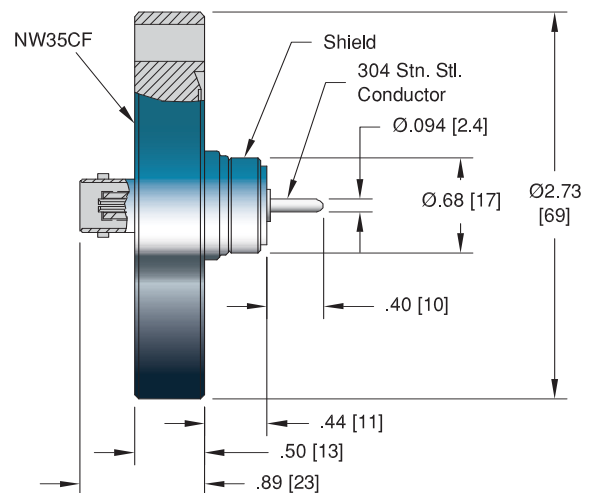
Weldable



ISO KF



ConFlat





Single Ended Weldable

| INSTALLATION | PART NUMBER |
|--------------|-------------|
| Weld | 6511-03-W |



Single Ended ISO KF

| ISO FLANGE | PART NUMBER |
|------------|-------------|
| NW40KF | 17177-01-KF |



Single Ended ConFlat

| CONFLAT FLANGE | PART NUMBER |
|-----------------|-------------|
| 2 3/4" (NW35CF) | 17178-01-CF |



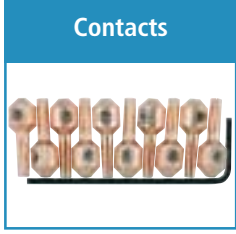
Air Side Plug

| TYPE | VOLTAGE DC | CONDUCTOR AMPS | DIMENSIONS | | DESCRIPTION | PART NUMBER |
|----------|------------|----------------|------------|----------|-------------|-------------|
| | | | H | L | | |
| Air Side | 500 V | 5 | 0.56 [14] | 1.1 [28] | BNC Plug | 7116-02 |



Air Side Cable Assembly

| TYPE | LENGTH | VOLTAGE DC | CONDUCTOR AMPS | TEMPERATURE | | PART NUMBER |
|---------------------------|--------|------------|----------------|-------------|-----|-------------|
| | | | | MIN | MAX | |
| 50 Ohm BNC – Double Ended | 10' | 500 V | 5 | -40 | 85 | 18921-01-A |



Contacts

| TYPE | MATERIAL | DESCRIPTION | PART NUMBER |
|-------------------------------|------------------|--------------------------------|------------------------|
| 0.094 Set Screw Type Contacts | Beryllium Copper | Accepts wire up to 0.050 [1.3] | 7429-01-A [†] |
| 0.094 Barrel Type Contacts | Beryllium Copper | Accepts wire up to 0.094 [2.4] | 7332-04-A |

*Contacts priced and sold in packages of 10. [†]Shown in photo. See the Accessories section for more information on all accessories.

COAXIAL

