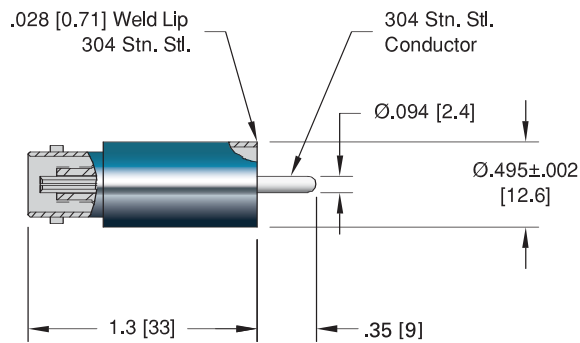
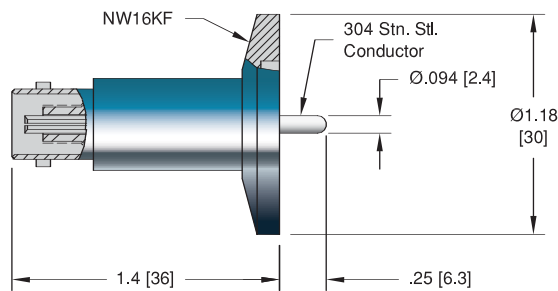


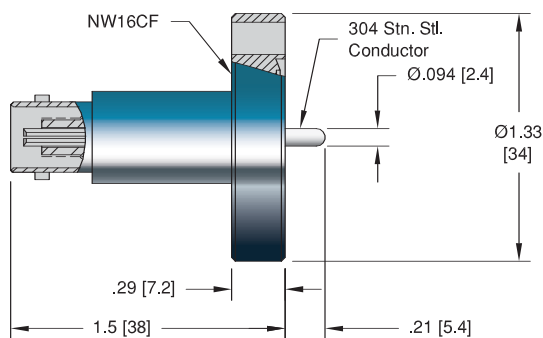
## Weldable



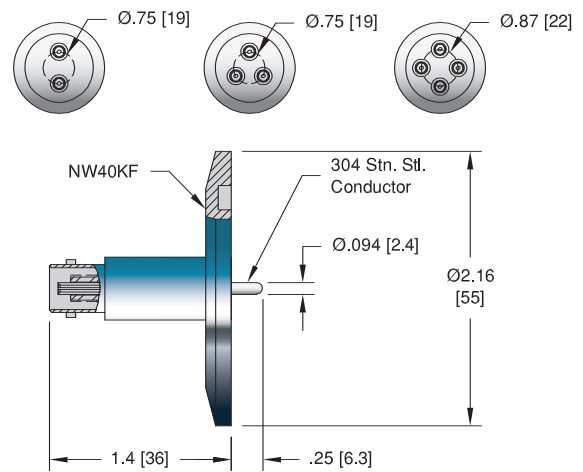
## ISO KF - NW16KF



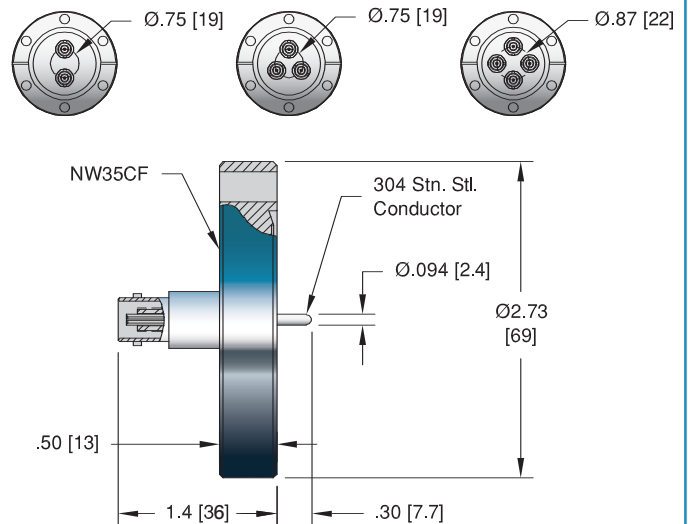
## ConFlat - NW16CF



## ISO KF - NW40KF



## ConFlat - NW35CF



## Specifications

## Materials

Housing: 304 Stainless steel  
Pin: 304 Stainless steel  
Insulation: Alumina ceramic  
Magnetic Materials: No

**Voltage Rating** 5 kV DC

**Current Rating** 3.6 Amps

**Temperature Range** -269°C to 450°C, ISO KF -25°C to 205°C

**Pressure @ 20°C** 1400 PSIG (97 Bar), ISO KF 0 PSIG



Single Ended Weldable

NO. PINS	INSTALLATION	PART NUMBER
1	Weld	5230-07-W



Single Ended ISO KF

ISO FLANGE		
1	NW16KF	17114-03-KF
1	NW40KF	17114-07-KF
2	NW40KF	17136-03-KF
3	NW40KF	17137-03-KF
4	NW40KF	17138-03-KF



Single Ended ConFlat

CONFLAT FLANGE		
1	1 1/3" ConFlat (NW16CF)	6924-03-CF
1	2 3/4" ConFlat (NW35CF)	7590-02-CF
2	2 3/4" ConFlat (NW35CF)	5822-05-CF
3	2 3/4" ConFlat (NW35CF)	6647-01-CF
4	2 3/4" ConFlat (NW35CF)	7184-06-CF



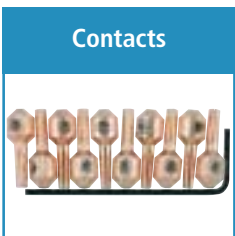
Air Side Plug

TYPE	VOLTAGE DC	CONDUCTOR AMPS	DIMENSIONS		DESCRIPTION	PART NUMBER
			H	L		
Air Side	5 kV	10	0.56 [14]	1.5 [38]	MHV Plug	7116-01



Air Side Cable Assembly

TYPE	LENGTH	VOLTAGE DC	CONDUCTOR AMPS	TEMPERATURE		PART NUMBER
				MIN	MAX	
52 Ohm MHV – Double Ended	10'	5 kV	10	-55	85	18921-02-A



Contacts

TYPE	MATERIAL	DESCRIPTION	PART NUMBER
0.094 Set Screw Type Contacts	Beryllium Copper	Accepts wire up to 0.050 [1.3]	7429-01-A <sup>†</sup>
0.094 Barrel Type Contacts	Beryllium Copper	Accepts wire up to 0.094 [2.4]	7332-04-A

\*Contacts priced and sold in packages of 10. <sup>†</sup>Shown in photo. See the Accessories section for more information on all accessories.

COAXIAL

