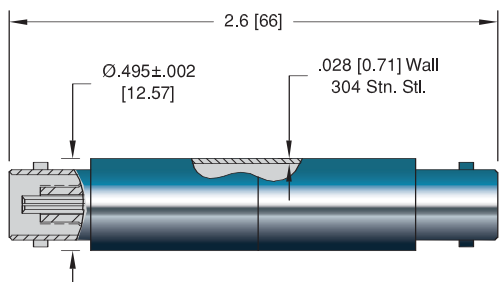
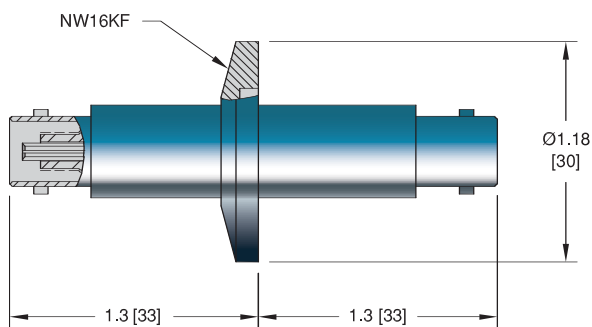


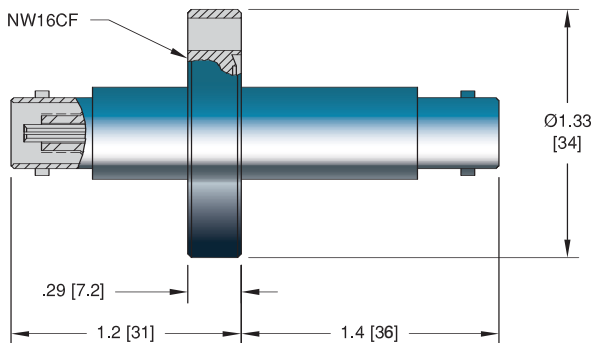
Weldable



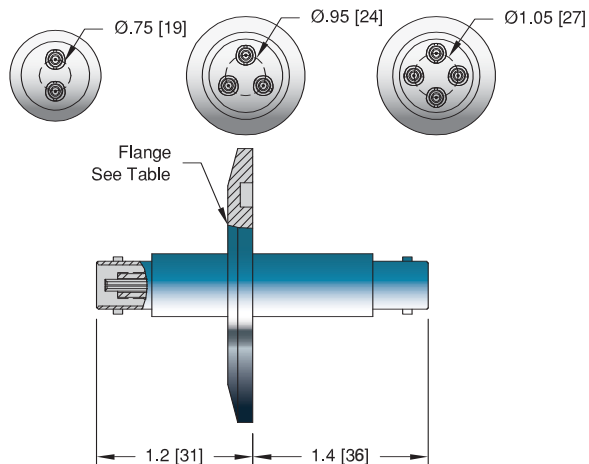
ISO KF - NW16KF



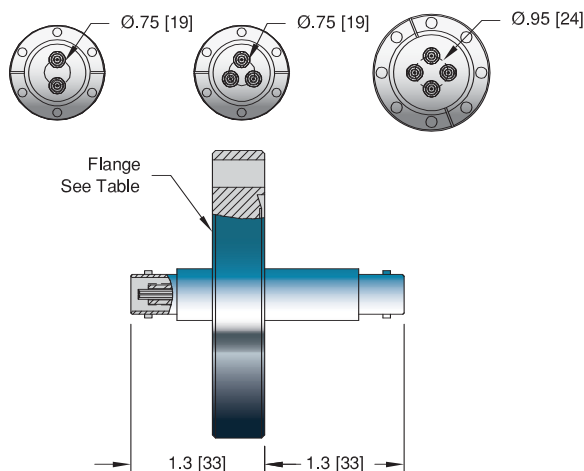
ConFlat - NW16CF



ISO KF



ConFlat



Specifications

Materials

- Housing: 304 Stainless steel
- Pin: 304 Stainless steel
- Insulation: Alumina ceramic
- Magnetic Materials: No

Voltage Rating 5 kV DC

Current Rating 3.6 Amps

Temperature Range -269°C to 450°C, ISO KF -25°C to 205°C

Pressure @ 20°C 1400 PSIG (97 Bar), ISO KF 0 PSIG



NO. PINS	INSTALLATION	PART NUMBER
1	Weld	17115-03-W



ISO FLANGE		
1	NW16KF	17116-03-KF
1	NW40KF	17118-03-KF
2	NW40KF	17118-07-KF
3	NW50KF	17122-03-KF
4	NW50KF	17139-03-KF



CONFLAT FLANGE		
1	1 1/3" ConFlat (NW16CF)	17117-03-CF
1	2 3/4" ConFlat (NW35CF)	18604-03-CF
2	2 3/4" ConFlat (NW35CF)	17187-03-CF
3	2 3/4" ConFlat (NW35CF)	17188-03-CF
4	3 3/8" ConFlat (NW50CF)	17189-03-CF



TYPE	VOLTAGE DC	CONDUCTOR AMPS	DIMENSIONS H L		DESCRIPTION	PART NUMBER
Air Side	5 kV	10	0.56 [14]	1.5 [38]	MHV Plug	7116-01



TYPE	LENGTH	VOLTAGE DC	CONDUCTOR AMPS	TEMPERATURE MIN MAX		PART NUMBER
52 Ohm MHV – Double Ended	10'	5 kV	10	-55	85	18921-02-A

See the Accessories section for more information on all accessories.

COAXIAL

