



## Specifications

### Materials

Housing: 52 Nickel Iron  
Pin: 304 Stainless steel  
Insulation: Alumina ceramic  
Magnetic Materials: Yes

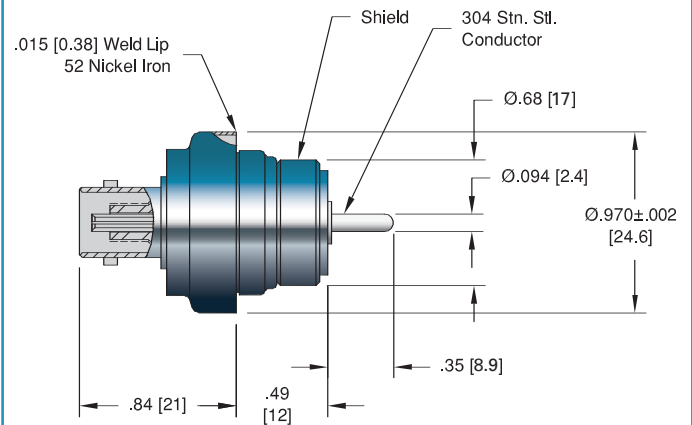
**Voltage Rating** Pin/Shield: 5 kV DC, Shield/Gnd: 2.5 kV DC

**Current Rating** 3.6 Amps

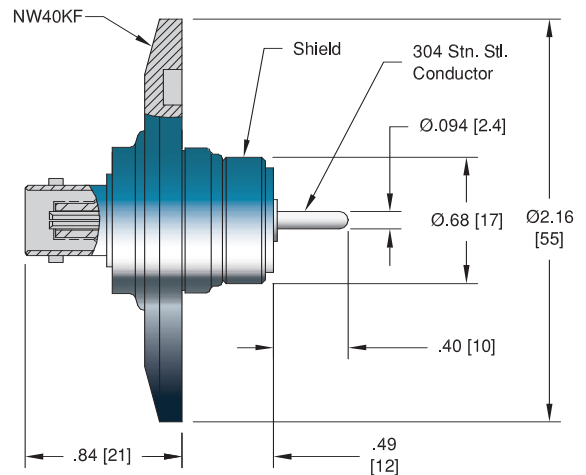
**Temperature Range** -269°C to 450°C, ISO KF -25°C to 205°C

**Pressure @ 20°C** 300 PSIG (20 Bar), ISO KF 0 PSIG

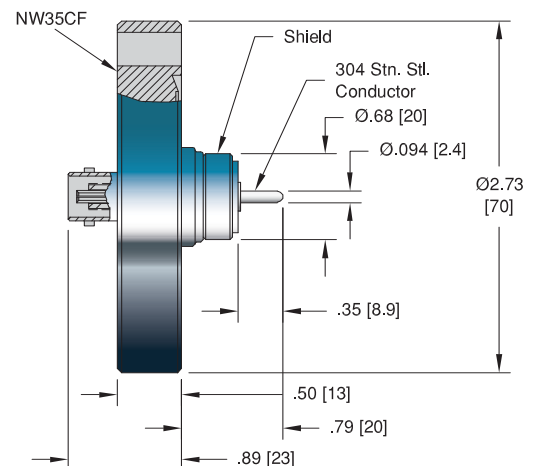
### Weldable



### ISO KF



### ConFlat





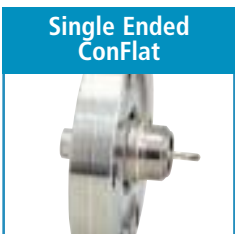
Single Ended Weldable

INSTALLATION	PART NUMBER
Weld	6511-04-W



Single Ended ISO KF

ISO FLANGE	PART NUMBER
NW40KF	17177-03-KF



Single Ended ConFlat

CONFLAT FLANGE	PART NUMBER
2 3/4" (NW35CF)	17178-03-CF



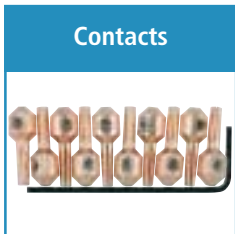
Air Side Plug

TYPE	VOLTAGE DC	CONDUCTOR AMPS	DIMENSIONS H L		DESCRIPTION	PART NUMBER
Air Side	5 kV	10	0.56 [14]	1.5 [38]	MHV Plug	7116-01



Air Side Cable Assembly

TYPE	LENGTH	VOLTAGE DC	CONDUCTOR AMPS	TEMPERATURE MIN MAX		PART NUMBER
52 Ohm MHV – Double Ended	10'	5 kV	10	-55	85	18921-02-A



Contacts

TYPE	MATERIAL	DESCRIPTION	PART NUMBER
0.094 Set Screw Type Contacts	Beryllium Copper	Accepts wire up to 0.050 [1.3]	7429-01-A <sup>†</sup>
0.094 Barrel Type Contacts	Beryllium Copper	Accepts wire up to 0.094 [2.4]	7332-04-A

\*Contacts priced and sold in packages of 10. <sup>†</sup>Shown in photo. See the Accessories section for more information on all accessories.