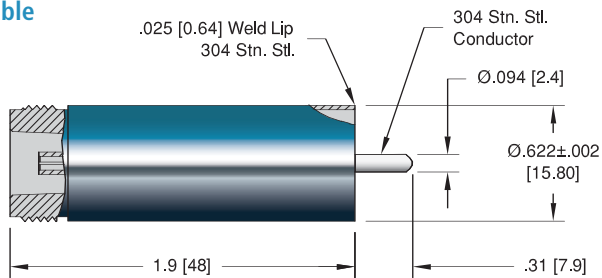
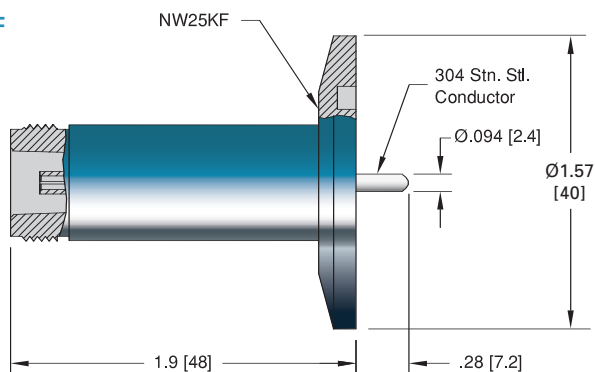


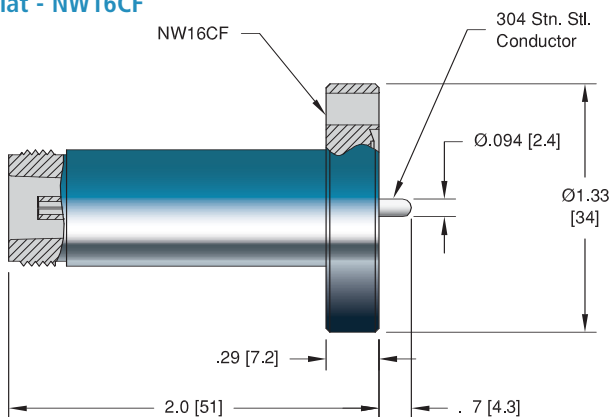
**Single Ended – Grounded Shield
Weldable**



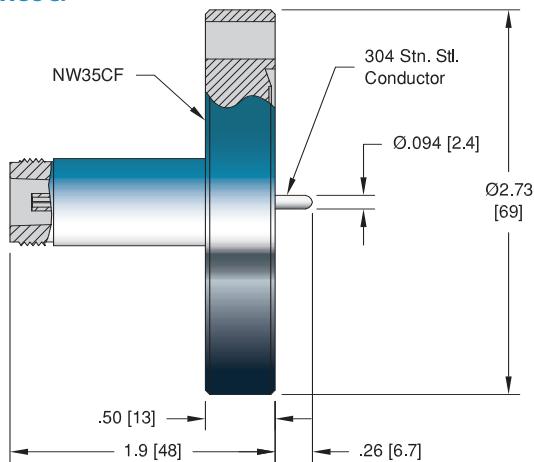
ISO KF



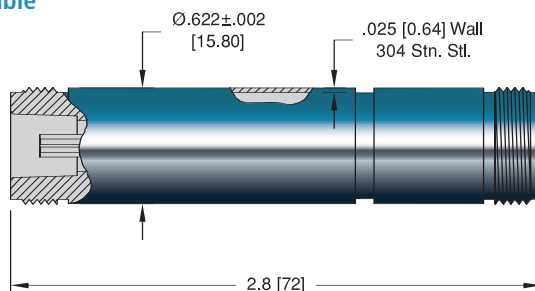
ConFlat - NW16CF



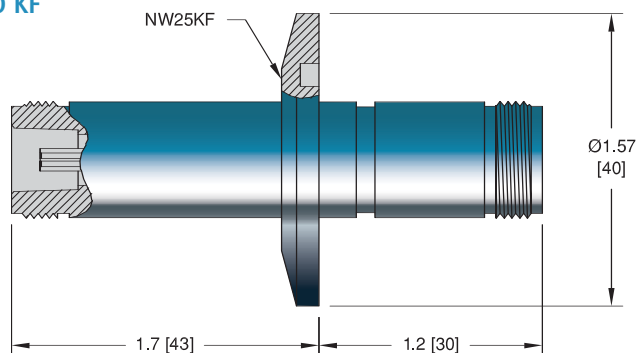
ConFlat - NW35CF



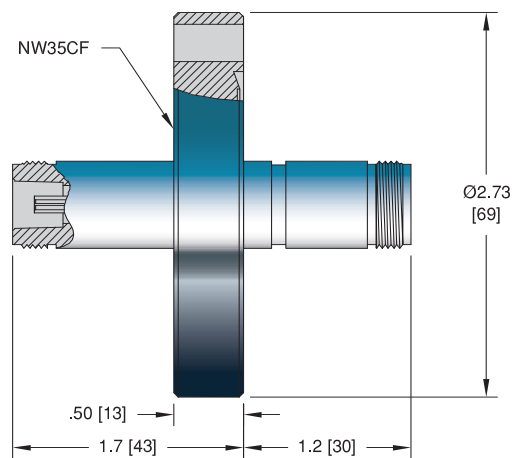
**Double Ended – Grounded Shield
Weldable**



ISO KF



ConFlat



Specifications

Materials

- Housing: 304 Stainless steel
- Pin: 304 Stainless steel
- Insulation: Alumina ceramic
- Magnetic Materials: No

Voltage Rating 1.5 kV DC

Current Rating 3.6 Amps

Temperature Range -269°C to 450°C, ISO KF -25°C to 205°C

Pressure @ 20°C See table

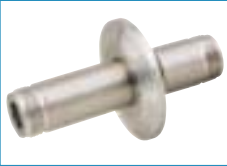
Single & Double Ended Weldable



STYLE	INSTALLATION	PRESSURE @ 20°C		PART NUMBER
		PSIG	BAR	
Single Ended	Weld	1800	124	7589-02-W†
Double Ended	Weld	1800	124	18077-02-W

ISO FLANGE

Single & Double Ended ISO KF



Single Ended	NW25KF	-	-	18057-01-KF
Double Ended	NW40KF	-	-	18078-02-KF†

CONFLAT FLANGE

Single & Double Ended ConFlat



Single Ended	1 1/3" (NW16CF)	1800	124	7588-02-CF†
Single Ended	2 3/4" (NW35CF)	1500	103	7587-02-CF
Double Ended	2 3/4" (NW35CF)	1500	103	18080-02-CF

Air Side Plug



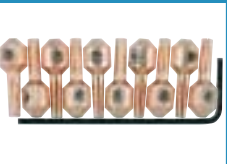
TYPE	VOLTAGE DC	CONDUCTOR AMPS	DIMENSIONS		DESCRIPTION	PART NUMBER
			H	L		
Air Side	1.5 kV	5	0.81 [20]	1.5 [38]	Type N Plug	7707-01

Air Side Cable Assembly



TYPE	LENGTH	VOLTAGE DC	CONDUCTOR AMPS	TEMPERATURE		PART NUMBER
				MIN	MAX	
50 Ohm Type N – Double Ended	10'	1.5 kV	5	-55	85	21619-01-A

Contacts



TYPE	MATERIAL	DESCRIPTION	PART NUMBER
0.094 Set Screw Type Contacts	Beryllium Copper	Accepts wire up to 0.050 [1.3]	7429-01-A†
0.094 Barrel Type Contacts	Beryllium Copper	Accepts wire up to 0.094 [2.4]	7332-04-A

*Contacts priced and sold in packages of 10. †Shown in photo. See the Accessories section for more information on all accessories.

COAXIAL