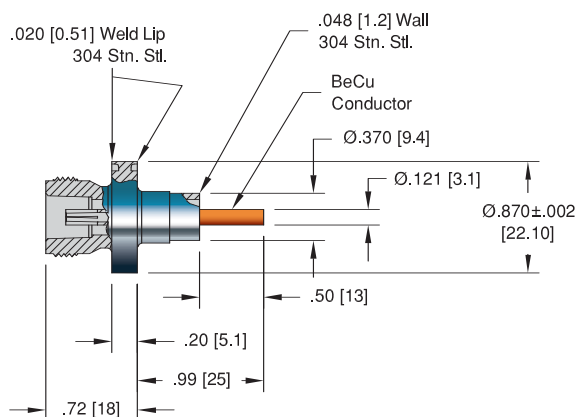
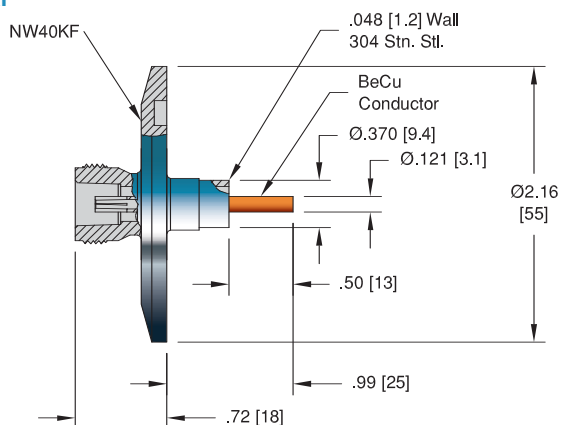


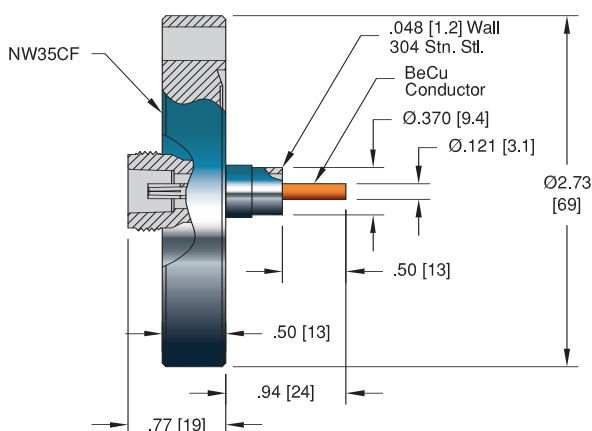
**Single Ended – Grounded Shield
Weldable**



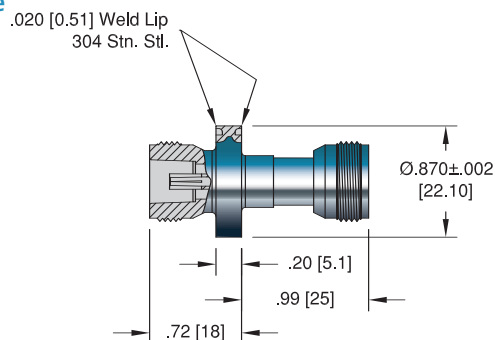
ISO KF



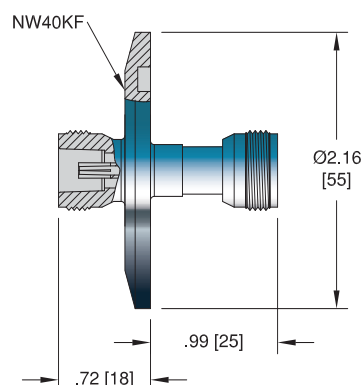
ConFlat



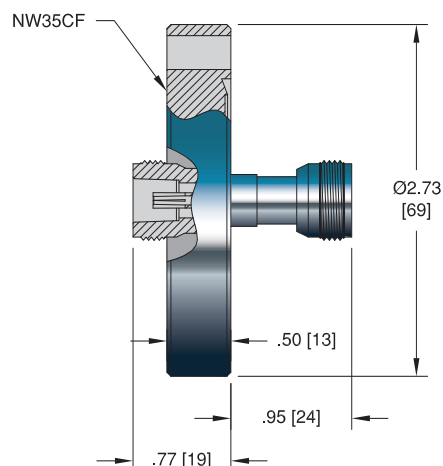
**Double Ended – Grounded Shield
Weldable**



ISO KF



ConFlat



Specifications

Materials

- Housing: 304 Stainless steel
- Pin/Contact: Beryllium Copper
- Insulation: Glass-ceramic
- Magnetic Materials: No

Voltage Rating 1.5 kV DC

Current Rating 1 Amp

Temperature Range -200°C to 225°C, ISO KF -25°C to 205°C

Pressure @ 20°C 500 PSIG (34 Bar), ISO KF 0 PSIG



Single & Double Ended Weldable



STYLE	INSTALLATION	PART NUMBER
Single Ended	Weld	18066-01-W†
Double Ended	Weld	18069-01-W

ISO FLANGE

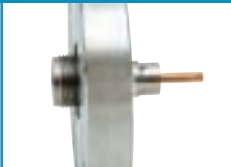
Single & Double Ended ISO KF



Single Ended	NW40KF	18067-01-KF
Double Ended	NW40KF	18070-01-KF†

CONFLAT FLANGE

Single & Double Ended ConFlat



Single Ended	2 3/4" (NW35CF)	18068-01-CF†
Double Ended	2 3/4" (NW35CF)	18071-01-CF

Air Side Plug



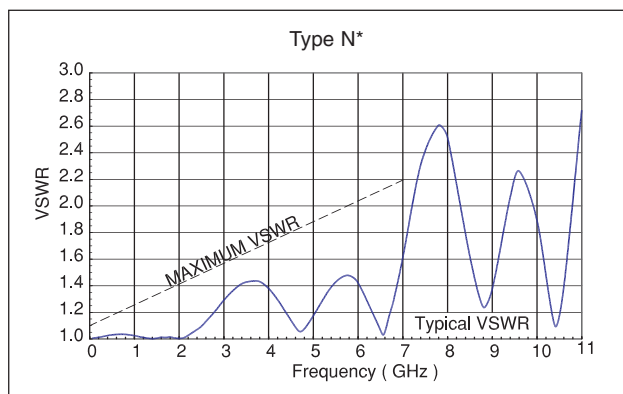
TYPE	VOLTAGE DC	CONDUCTOR AMPS	DIMENSIONS H L		DESCRIPTION	PART NUMBER
Air Side	1.5 kV	5	0.81 [20]	1.5 [38]	Type N Plug	7707-01

Air Side Cable Assembly



TYPE	LENGTH	VOLTAGE DC	CONDUCTOR AMPS	TEMPERATURE MIN MAX		PART NUMBER
50 Ohm Type N – Double Ended	10'	1.5 kV	5	-55	85	21619-01-A

†Shown in photo. See the Accessories section for more information on all accessories.



*Applies when properly mated to a 50 Ohm load.