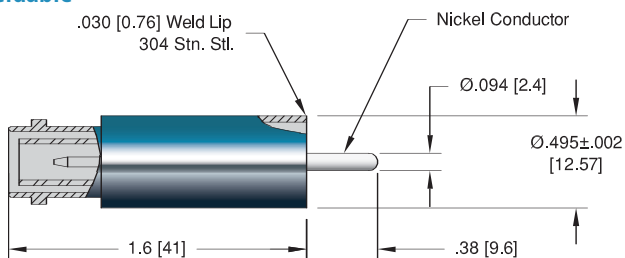
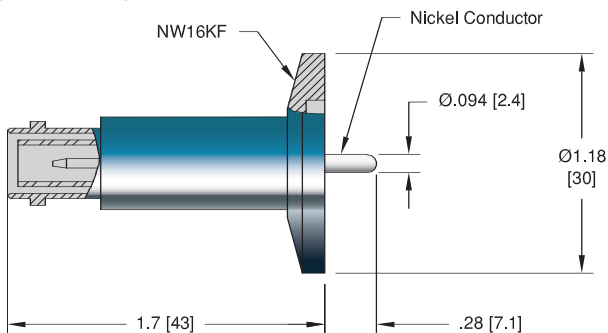


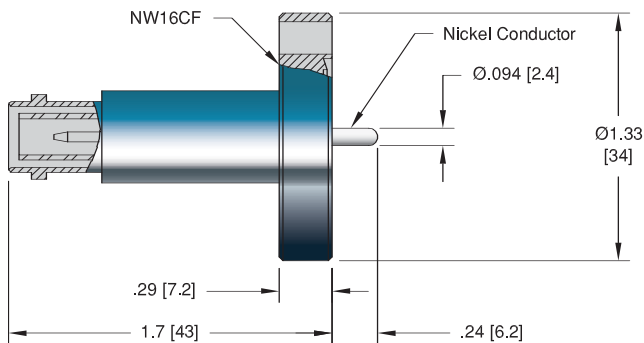
SHV 5 KV - Recessed Weldable



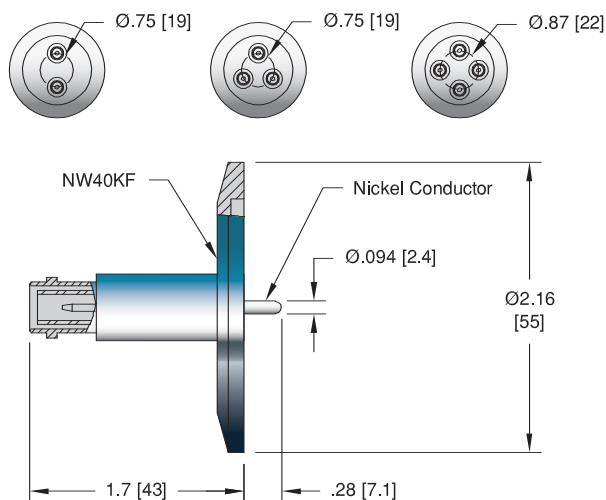
ISO KF - NW16KF



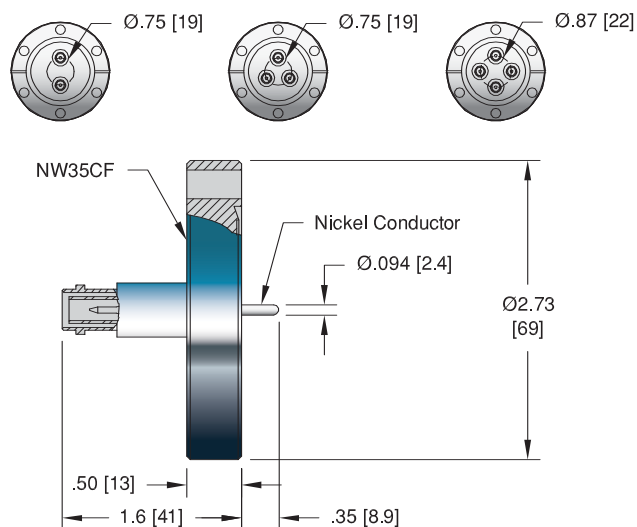
ConFlat - NW16CF



SHV 5 KV - Recessed ISO KF - NW40KF



ConFlat - NW35CF



Specifications

Materials

- Housing: 304 Stainless steel
- Pin: Nickel
- Insulation: Alumina ceramic
- Magnetic Materials: Yes

Voltage Rating 5 kV DC

Current Rating 16.5 Amps

Temperature Range -269°C to 450°C, ISO KF -25°C to 205°C

Pressure @ 20°C See table



Weldable

NO. PINS	INSTALLATION	PRESSURE @ 20°C		PART NUMBER
		PSIG	BAR	
1	Weld	1600	110	8030-02-W

ISO FLANGE



ISO KF

1	NW16KF	-	-	17207-02-KF
1	NW40KF	-	-	17206-07-KF
2	NW40KF	-	-	17206-01-KF
3	NW40KF	-	-	17206-03-KF
4	NW40KF	-	-	17206-05-KF

CONFLAT FLANGE



ConFlat

1	1 1/3" (NW16CF)	1600	110	9485-02-CF
1	2 3/4" (NW35CF)	1500	103	11179-04-CF
2	2 3/4" (NW35CF)	1500	103	0268-02-CF
3	2 3/4" (NW35CF)	1500	103	1958-02-CF
4	2 3/4" (NW35CF)	1500	103	11179-02-CF



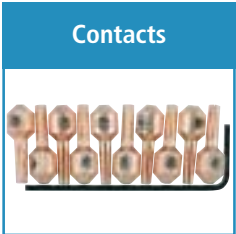
Air Side Plug

TYPE	VOLTAGE DC	CONDUCTOR AMPS	DIMENSIONS		DESCRIPTION	PART NUMBER
			H	L		
Air Side	5 kV	10	0.56 [14]	1.8 [46]	SHV 5 kV Plug	8058-01



Air Side Cable Assembly

TYPE	LENGTH	VOLTAGE DC	CONDUCTOR AMPS	TEMPERATURE		PART NUMBER
				MIN	MAX	
52 Ohm SHV – Double Ended	10'	5 kV	10	-55	85	18921-03-A



Contacts

TYPE	MATERIAL	DESCRIPTION	PART NUMBER
0.094 Set Screw Type Contacts	Beryllium Copper	Accepts wire up to 0.050 [1.3]	7429-01-A [†]
0.094 Barrel Type Contacts	Beryllium Copper	Accepts wire up to 0.094 [2.4]	7332-04-A

*Contacts priced and sold in packages of 10. [†]Shown in photo. See the Accessories section for more information on all accessories.