



Specifications

Materials

Housing: 304 Stainless steel
Pin: Nickel
Insulation: Alumina ceramic
Magnetic Materials: Yes

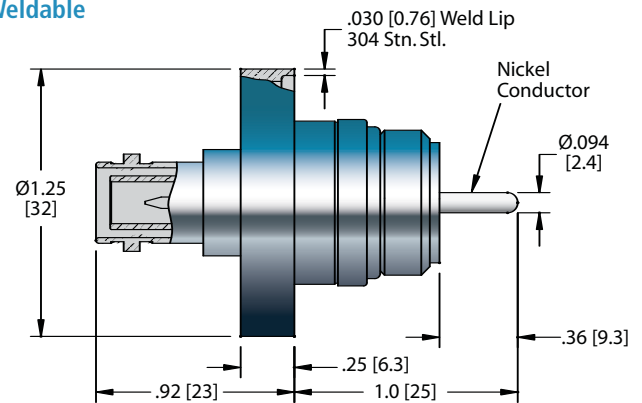
Voltage Rating Pin/Shield: 5 kV DC, Shield/Gnd: 2.5 kV DC

Current Rating 16.5 Amps

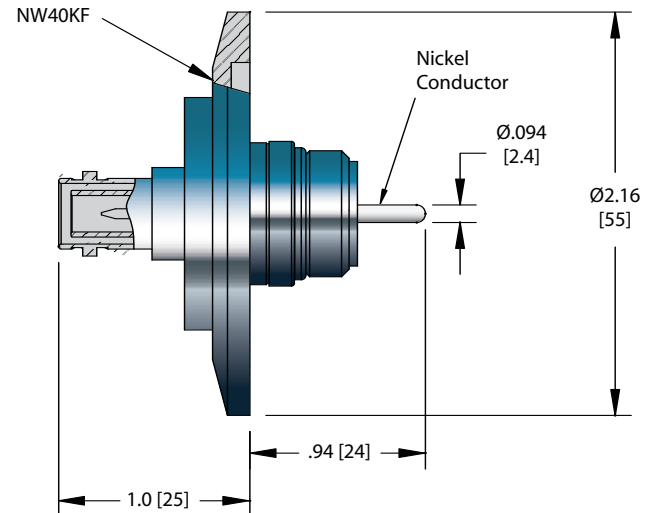
Temperature Range -269°C to 450°C, ISO KF -25°C to 205°C

Pressure @ 20°C 300 PSIG (20 Bar), ISO KF 0 PSIG

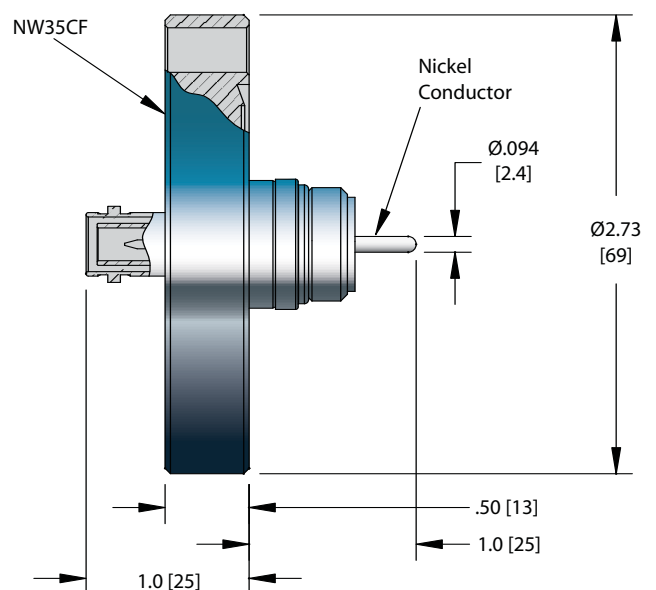
Weldable



ISO KF



ConFlat





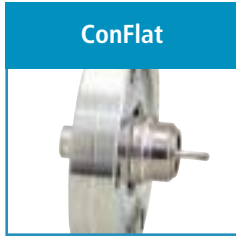
Weldable

INSTALLATION	PART NUMBER
Weld	15619-01-W



ISO KF

ISO FLANGE	PART NUMBER
NW40KF	21303-01-KF



ConFlat

CONFLAT FLANGE	PART NUMBER
2 3/4" (NW35CF)	21304-01-CF



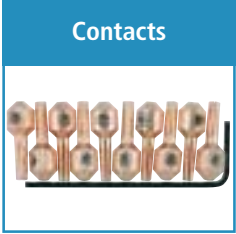
Air Side Plug

TYPE	VOLTAGE DC	CONDUCTOR AMPS	DIMENSIONS H L		DESCRIPTION	PART NUMBER
Air Side	5 kV	10	0.56 [14]	1.8 [46]	SHV 5 kV Plug	8058-01



Air Side Cable Assembly

TYPE	LENGTH	VOLTAGE DC	CONDUCTOR AMPS	TEMPERATURE MIN MAX		PART NUMBER
52 Ohm SHV – Double Ended	10'	5 kV	10	-55	85	18921-03-A



Contacts

TYPE	MATERIAL	DESCRIPTION	PART NUMBER
0.094 Set Screw Type Contacts	Beryllium Copper	Accepts wire up to 0.050 [1.3]	7429-01-A [†]
0.094 Barrel Type Contacts	Beryllium Copper	Accepts wire up to 0.094 [2.4]	7332-04-A

*Contacts priced and sold in packages of 10. [†]Shown in photo. See the Accessories section for more information on all accessories.