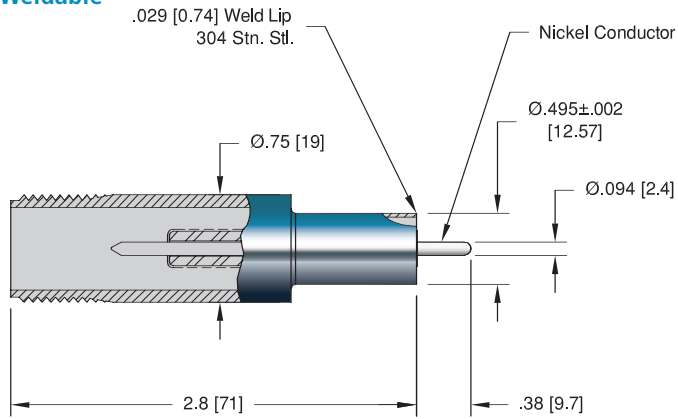
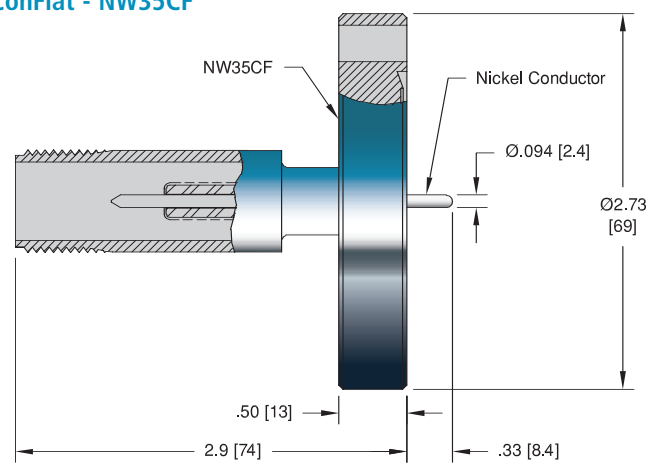


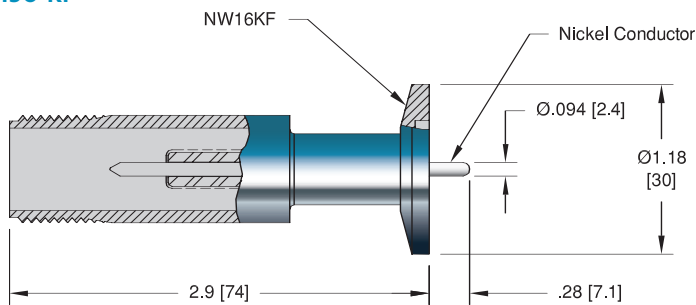
Weldable



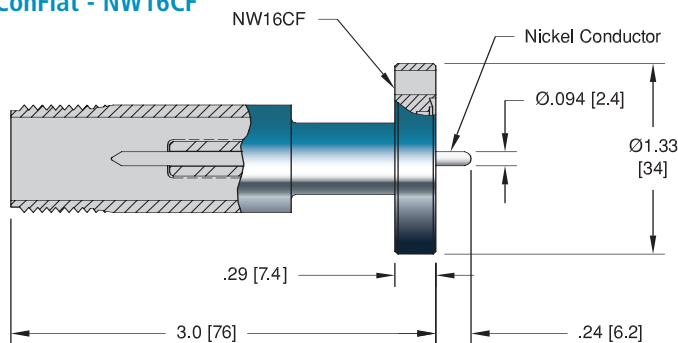
ConFlat - NW35CF



ISO KF



ConFlat - NW16CF



Specifications

Materials

- Housing: 304 Stainless steel
- Pin: Nickel
- Insulation: Alumina ceramic
- Magnetic Materials: Yes

Voltage Rating 7.5 kV DC

Current Rating 16.5 Amps

Temperature Range -269°C to 450°C, ISO KF -25°C to 205°C

Pressure @ 20°C See table



Weldable

INSTALLATION	PRESSURE @ 20°C PSIG BAR		PART NUMBER
Weld	1600	110	7546-02-W



ISO KF

ISO FLANGE			
NW16KF	-	-	18047-02-KF



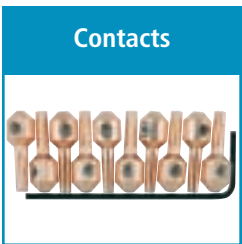
ConFlat

CONFLAT FLANGE			
1 1/3" (NW16CF)	1600	110	7585-02-CF
2 3/4" (NW35CF)	1500	103	7584-02-CF



Air Side Plug

TYPE	VOLTAGE DC	CONDUCTOR AMPS	DIMENSIONS H L		DESCRIPTION	PART NUMBER
Air Side	7.5 kV	8	0.88 [22]	3.5 [88]	BSHV Plug	7604-01-A



Contacts

TYPE	MATERIAL	DESCRIPTION	PART NUMBER
0.094 Set Screw Type Contacts	Beryllium Copper	Accepts wire up to 0.050 [1.3]	7429-01-A†
0.094 Barrel Type Contacts	Beryllium Copper	Accepts wire up to 0.094 [2.4]	7332-04-A

*Contacts priced and sold in packages of 10. †Shown in photo. See the Accessories section for more information on all accessories.