

Feedthrough

Multipin Connector

Coaxial

Thermocouple

Isolator

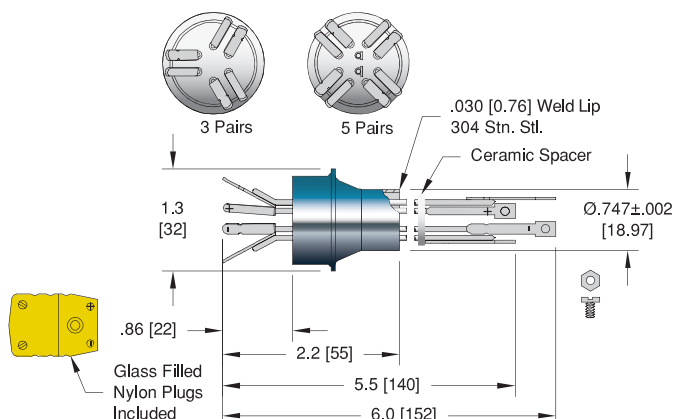
Viewport

Pressure

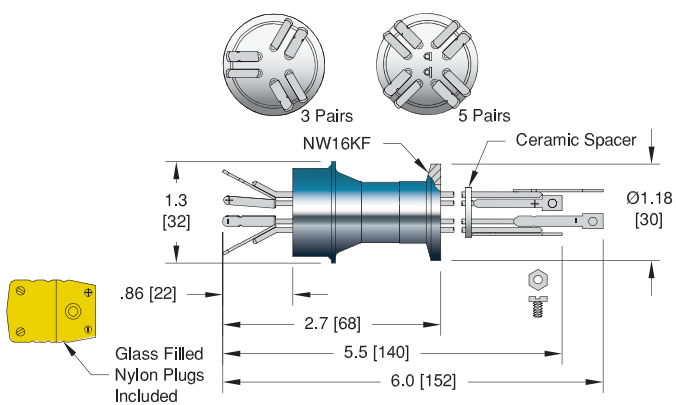
Accessories

Technical Reference

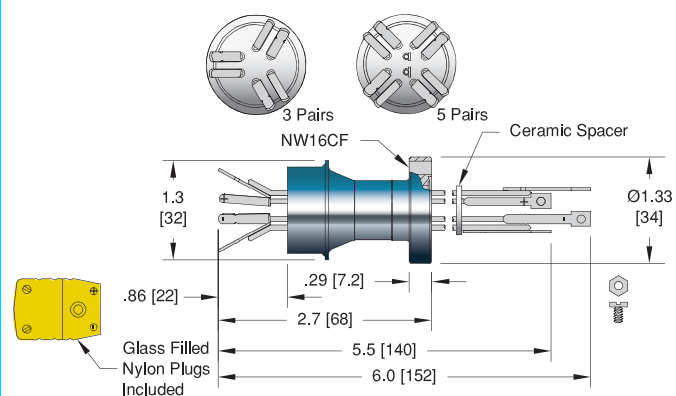
Weldable



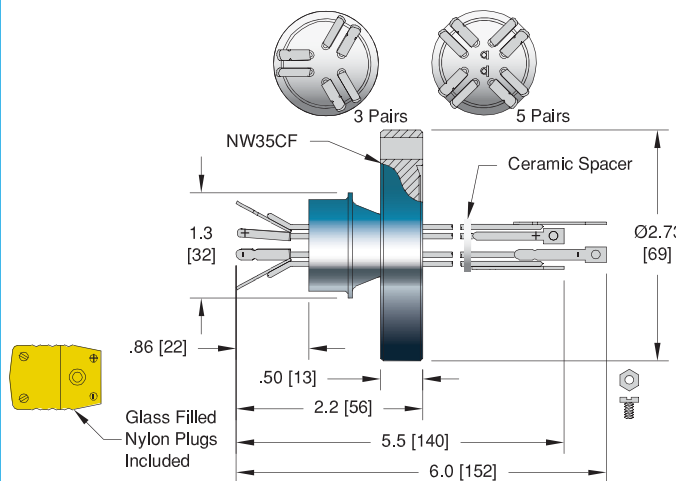
ISO KF



ConFlat – NW16CF



ConFlat – NW35CF



Specifications

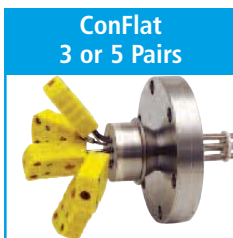
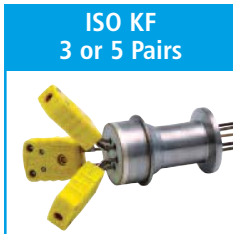
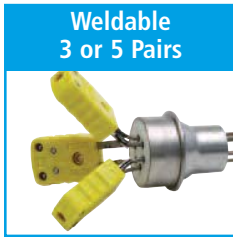
Materials

- Shell: 304 Stainless steel
- Thermocouple materials: Chromel/Alumel (Type K)
- Insulation: Alumina ceramic
- Magnetic Materials: Yes

Temperature Range -269°C to 450°C

Pressure @ 20°C ISO KF 0 PSIG

- 3 Pairs: 400 PSIG (28 Bar)
- 5 Pairs: 350 PSIG (24 Bar)



ANSI TYPE	THERMOCOUPLE MATERIALS	INSTALLATION	NO. OF PAIRS	PART NUMBER
K	Chromel/Alumel	Weld	3	18618-01-W
K	Chromel/Alumel	Weld	5	18619-01-W

ISO FLANGE

K	Chromel/Alumel	NW16KF	3	18618-02-KF
K	Chromel/Alumel	NW16KF	5	18619-02-KF

CONFLAT FLANGE

K	Chromel/Alumel	1 1/3" (NW16CF)	3	18618-03-CF
K	Chromel/Alumel	1 1/3" (NW16CF)	5	18619-03-CF
K	Chromel/Alumel	2 3/4" (NW35CF)	3	18618-04-CF
K	Chromel/Alumel	2 3/4" (NW35CF)	5	18619-04-CF

ANSI TYPE	THERMOCOUPLE MATERIALS	TYPE	MATERIALS	TEMPERATURE °C MIN	TEMPERATURE °C MAX	COLOR CODE	PART NUMBER
K	Chromel/Alumel	Standard	Glass Filled Nylon	-29	218	Yellow	08151-01
K	Chromel/Alumel	High Temp	Ceramic	-73	650	Yellow	08151-09

See the Accessories section for more information on all accessories.

Feedthrough
Multipin Connector
Coaxial
Thermocouple
Isolator
Viewport
Pressure
Accessories
Technical Reference