

Feedthrough

Multipin Connector

Coaxial

Thermocouple

Isolator

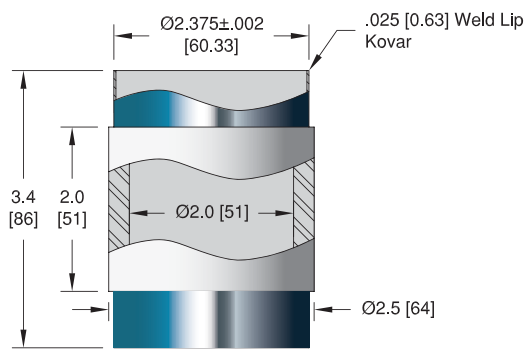
Viewport

Pressure

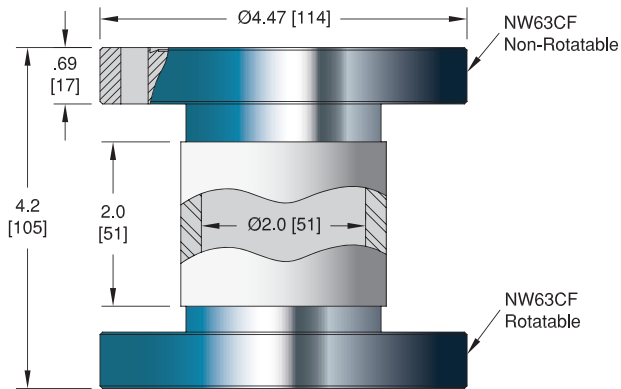
Accessories

Technical Reference

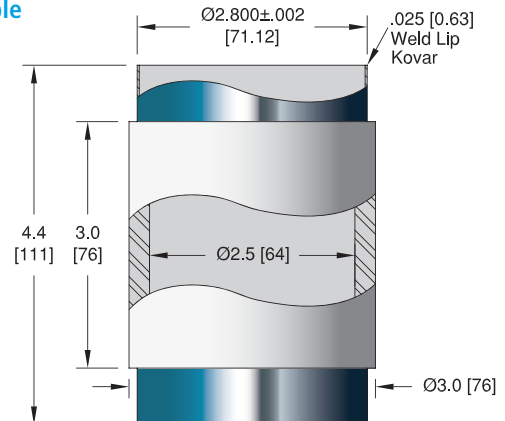
### Insulator ID: 2.0 [51] Weldable



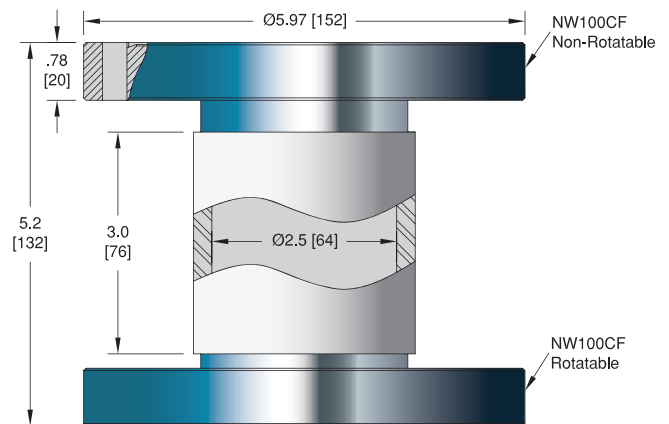
### ConFlat



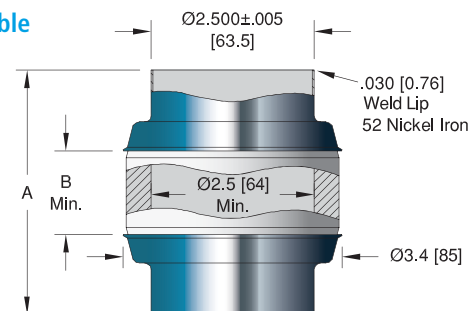
### Insulator ID: 2.5 [64] Weldable



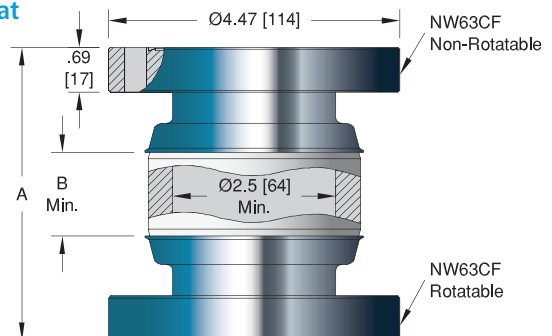
### ConFlat



### Weldable



### ConFlat



### Specifications - Insulator ID: 2.0 [51]

#### Materials

Tube: Kovar  
Insulation: Alumina ceramic  
Magnetic Materials: Yes

**Voltage Rating** 40 kV DC

**Temperature Range** -55°C to 450°C

**Pressure @ 20°C** 180 PSIG (12 Bar)

### Specifications - Insulator ID: 2.5 [64]

#### Materials

Tube: Kovar or 52 Nickel iron  
Insulation: Alumina ceramic  
Magnetic Materials: Yes

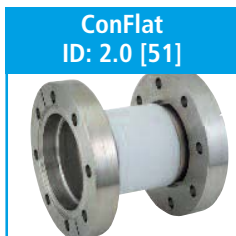
**Voltage Rating** See table

**Temperature Range** See table

**Pressure @ 20°C** See table



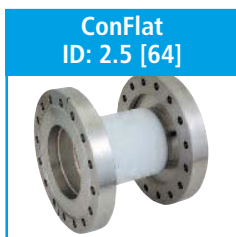
VOLTAGE DC	INSTALLATION	PART NUMBER
40 kV	Weld	9997-21-W



CONFLAT FLANGE		
40 kV	4 1/2" (NW63CF)	4511-03-CF



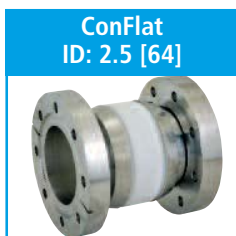
VOLTAGE DC	INSTALLATION	PRESSURE @ 20 °C		TEMP °C		PART NUMBER
		PSIG	BAR	MIN	MAX	
60 kV	Weld	150	10	-55	450	9997-25-W



CONFLAT FLANGE			
60 kV	6" (NW100CF)	150 10 -55 450	4511-05-CF



VOLTAGE DC	INSTALLATION	DIMENSIONS		PRESSURE @ 20 °C		TEMP °C		PART NUMBER
		A	B	PSIG	BAR	MIN	MAX	
20 kV	Weld	3.7 [95]	0.90 [22.8]	80	5	-269	450	17140-01-W
60 kV	Weld	6.5 [165]	3.65 [92.7]	80	5	-269	450	17140-02-W



CONFLAT FLANGE				
20 kV	4 1/2" (NW63CF)	4.5 [114] 0.90 [22.8]	80 5 -269 450	17144-01-CF
60 kV	4 1/2" (NW63CF)	7.3 [184] 3.65 [92.7]	80 5 -269 450	17144-02-CF

Feedthrough

Multiple Connector

Coaxial

Thermocouple

Isolator

Viewport

Pressure

Accessories

Technical Reference