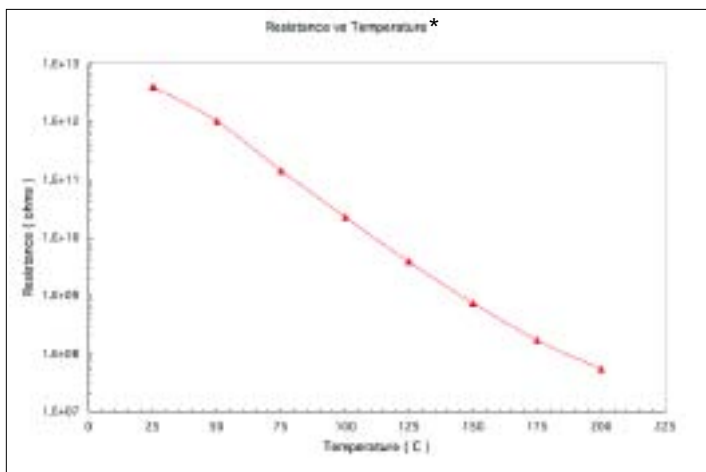


CeramTite™ High Pressure Feedthroughs

CeramTite™ feedthroughs consist of a Nickel plated Alumel pin bonded directly to the threaded bolt using our proprietary glass-ceramic sealing process. These hermetically sealed feedthroughs utilize an O-ring crush seal to make the external pressure seal. The hex bolt side is designed to be the high pressure side of the feedthrough. The temperature rating of the assembly is limited by the O-ring material. Viton® is the standard O-ring material used and this material has a high end temperature capability of 205° C.

CeramTite™ feedthroughs are typically used for low power or instrumentation applications in pressure vessels or oil systems. 100% of CeramTec's Ceramaseal® products are helium leak tested to meet or exceed 10⁻¹⁰ atm-cc/sec (He). Custom bolt sizes, pin configurations or sizes are available upon request.



Specifications

Material

Body: 316 Stainless steel
 O-ring: Viton®
 Pin: Alumel (Nickel Plated)
 Insulation: Glass-ceramic & Alumina ceramic
 Magnetic Materials: Yes

Voltage Rating 500 V DC

Current Rating 4 Amps per pin

Temperature Range* -269° C to 450° C

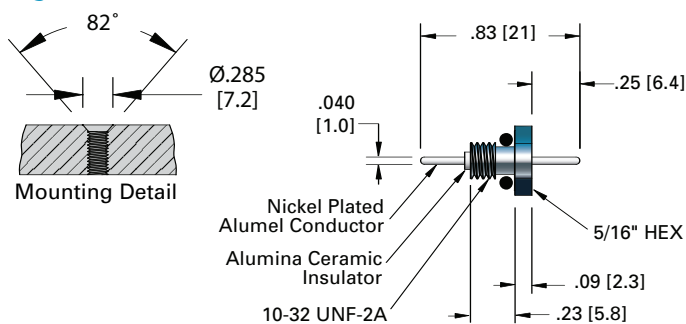
Viton® O-ring: -25° C to 205° C

Pressure @ 20°C

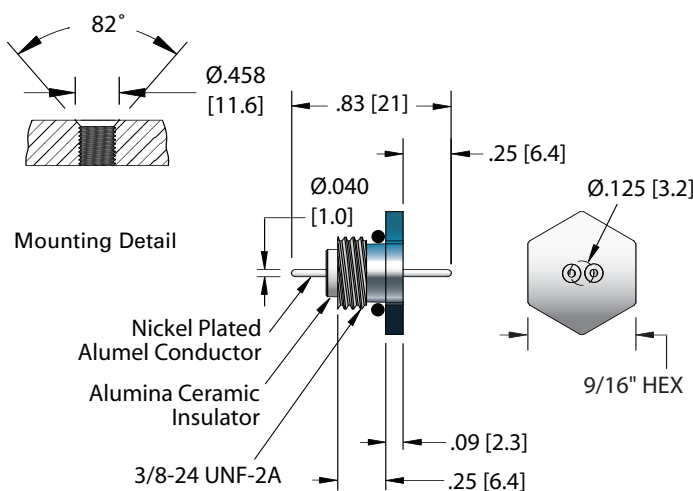
Single Pin: 25,000 (1724 Bar)
 2 Pin: 20,000 (1379 Bar)
 3 Pin: 20,000 (1379 Bar)

*Maximum temperature ratings listed are for bakeout only. The insulation resistance at these temperatures may not be suitable for all applications.

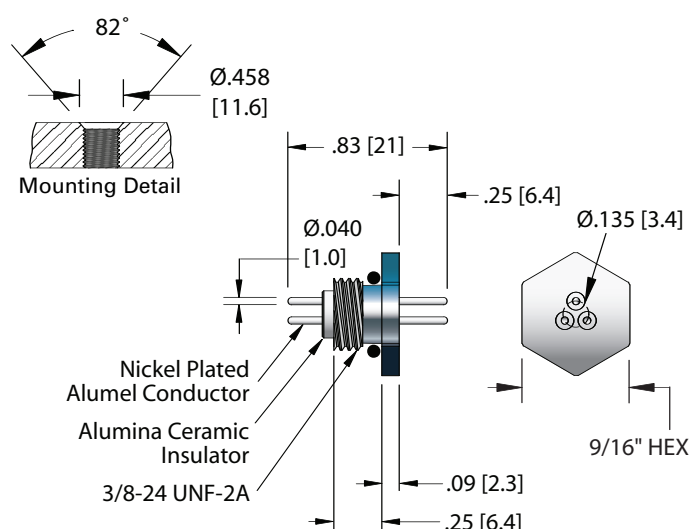
Single Pin



Two Pin



Three Pin





NO. PINS	INSTALLATION		PART NUMBER
	HEX	THREAD	
1	5/16	10-32	50039-01-A



2	9/16	3/8-24	50040-01-A
---	------	--------	------------



3	9/16	3/8-24	50041-01-A
---	------	--------	------------



Contacts	TYPE	MATERIAL	DESCRIPTION	PART NUMBER
	0.040 Crimp Contacts Crimp Tool	Copper Alloy - Gold Flash	Accepts wire up to 0.040 [1.0] For 0.025" - 0.075" Crimp Diameters	16167-03-A† 2840-05

*Contacts priced and sold in packages of 5. †Shown in photo. See the Accessories section for more information on all accessories.

PRESSURE

