

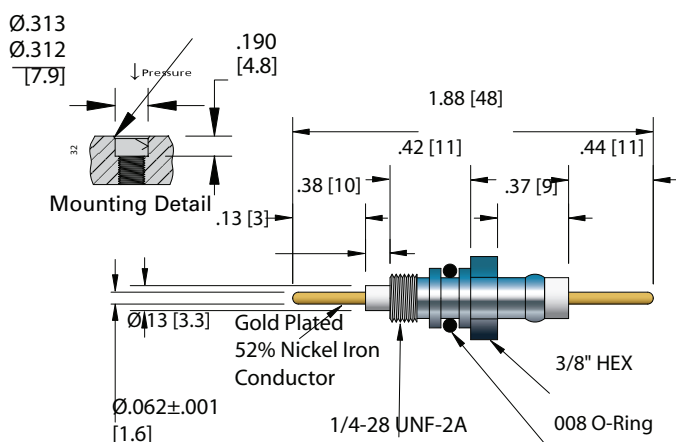
Tec-Seal™ High Pressure Feedthroughs

Tec-Seal™ feedthrough products are built for extreme downhole environments. These rugged hermetic feedthroughs are rated for external pressures up to 25,000 psi and temperatures up to 250° C. The Tec-Seal™ embedded seal design will maintain the seal integrity even if one or both sides of the feedthrough are sheared off, thus protecting the bulkhead electronics from damage.

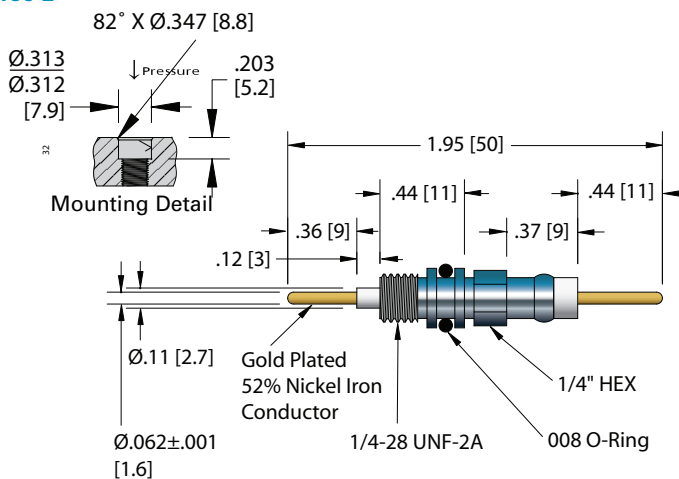
These designs are successfully tested to 50,000 psig but the assembly pressure rating is limited by the o-ring. There isn't a more reliable or durable feedthrough available.

The temperature rating of the assembly is limited by the O-ring material. Viton® is the standard O-ring material used and this material has a high end temperature capability of 205° C. 100% of CeramTec's Ceramaseal® products are helium leak tested to meet or exceed 10⁻¹⁰ atm-cc/sec (He). Custom bolt sizes, pin configurations or sizes are available upon request.

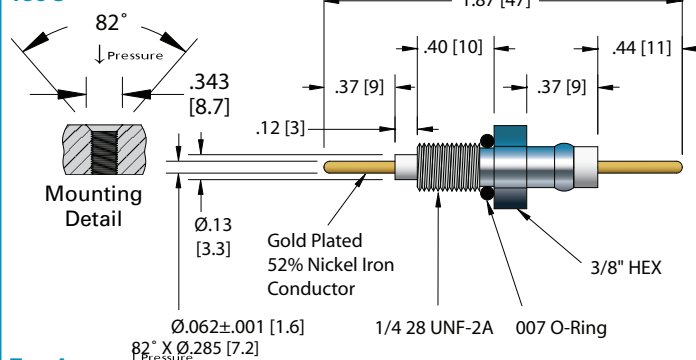
Tec-1 82° X Ø.347 [8.8]



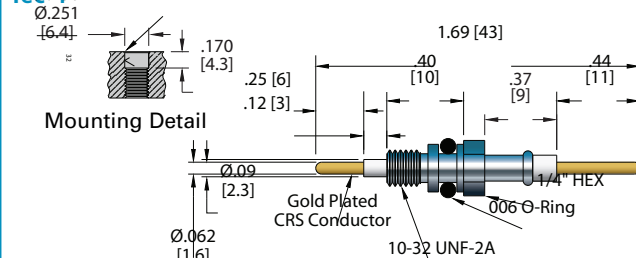
Tec-2



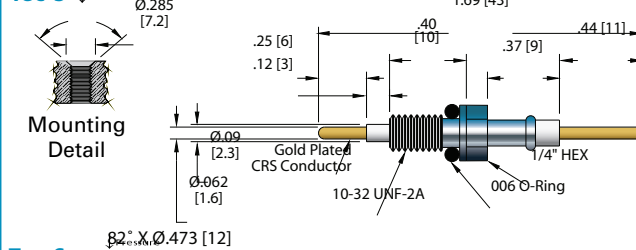
Tec-3



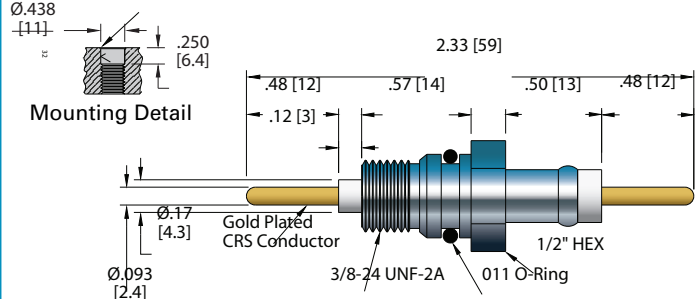
Tec-4



Tec-5



Tec-6



Specifications

Materials

Body: 304 Stainless steel

O-ring: Viton®

Pin: See table

Insulation: Alumina ceramic & glass-ceramic

Magnetic Materials: Yes

Voltage Rating See table

Current Rating See table

Temperature Range -269° C to 250° C

Viton® O-ring: -25° C to 205° C

Pressure @ 20°C 25,000 PSIG (1724 Bar)



Tec-1

INSTALLATION HEX	THREAD	VOLTAGE DC	CONDUCTOR AMPS	MATERIAL	PART NUMBER
3/8	1/4-28	1.5 kV	7.5	52 Nickel Iron	50015-01-A



Tec-2

1/4	1/4-28	1.5 kV	7.5	52 Nickel Iron	50019-01-A
-----	--------	--------	-----	----------------	------------



Tec-3

3/8	1/4-28	1.5 kV	7.5	52 Nickel Iron	50020-01-A
-----	--------	--------	-----	----------------	------------



Tec-4

1/4	10-32	1.5 kV	10	Cold Rolled Steel	50054-02-A
-----	-------	--------	----	-------------------	------------



Tec-5

1/4	10-32	1.5 kV	10	Cold Rolled Steel	50065-01-A
-----	-------	--------	----	-------------------	------------



Tec-6

1/2	3/8-24	5 kV	20	Cold Rolled Steel	50060-01-A
-----	--------	------	----	-------------------	------------



Contacts

TYPE	MATERIAL	DESCRIPTION	PART NUMBER
0.062 Crimp Contacts	Nickel Alloy	Accepts wire up to 0.062 [1.6]	0821-01-A [†]
0.062 Crimp Contacts	Beryllium Copper	Accepts wire up to 0.062 [1.6]	2044-02-A
0.062 Barrel Type Contacts	Beryllium Copper	Accepts wire up to 0.062 [1.6]	7332-03-A
0.094 Set Screw Type Contacts	Beryllium Copper	Accepts wire up to 0.050 [1.3]	7429-01-A
0.094 Barrel Type Contacts	Beryllium Copper	Accepts wire up to 0.094 [2.4]	7332-04-A
Crimp Tool		For 0.025" - 0.075" Crimp Diameters	2840-05

*Contacts priced and sold in packages of 10. [†]Shown in photo. See the Accessories section for more information on all accessories.

PRESSURE

