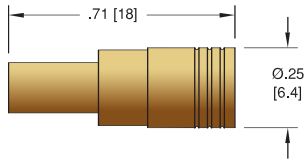
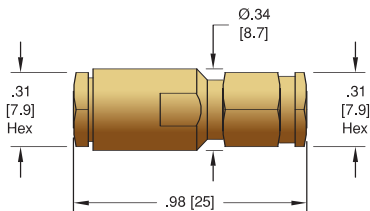


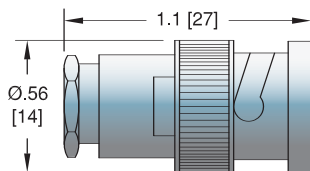
SMB



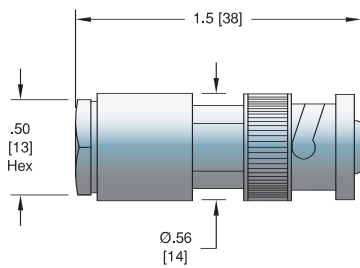
SMA



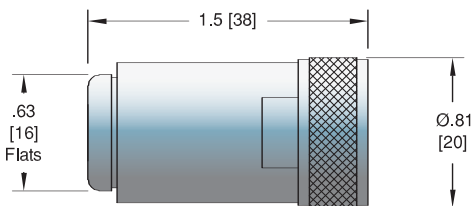
BNC



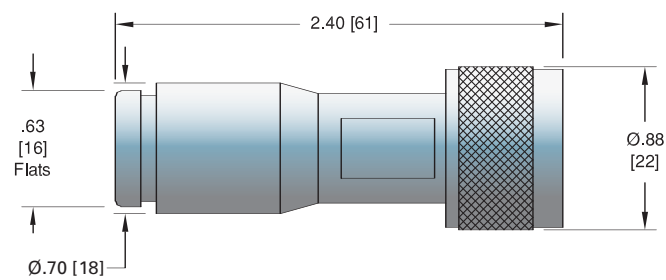
MHV



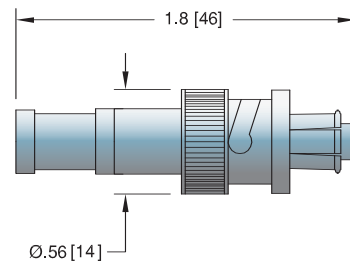
Type N



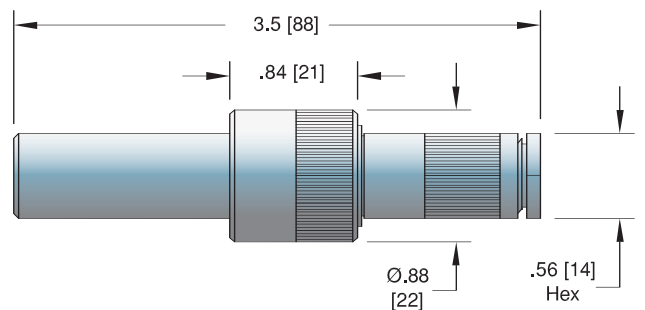
HN



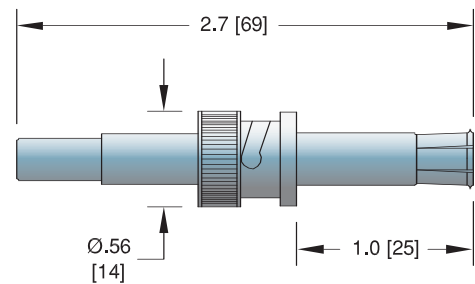
SHV – 5 KV



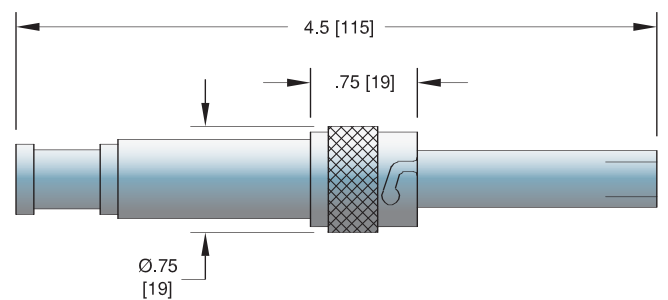
BSHV – 7.5 KV



SHV – 10 KV



SHV – 20 KV





	TYPE	VOLTAGE DC	CONDUCTOR AMPS	TEMPERATURE °C MIN	TEMPERATURE °C MAX	MAGNETIC MATERIALS	PART NUMBER
SMB 	SMB Plug: Air Side	375 V	5	-65	165	No	3095-12
	SMA Plug: Air Side	500 V	5	-65	165	No	6524-02
SMA 	BNC Plug: Air Side	500 V	5	-65	165	No	7116-02 [†]
	MHV Plug: Air Side	5 kV	10	-65	165	No	7116-01
BNC & MHV 	Type N Plug: Air Side	1.5 kV	5	-65	165	No	7707-01
	Type N 	HN Plug: Air Side	7 kV	10	-55	165	No
HN 		BSHV Plug: Air Side	7.5 kV	8	-65	400	Yes
	BSHV – 7.5 KV 	SHV - 5 kV Plug: Air Side	5 kV	10	-65	165	No
SHV 		SHV - 10 kV Plug: Air Side	10 kV	10	-65	165	No
		SHV - 20 kV Plug: Air Side	20 kV	20	-20	125	No

[†]Shown in photo.

