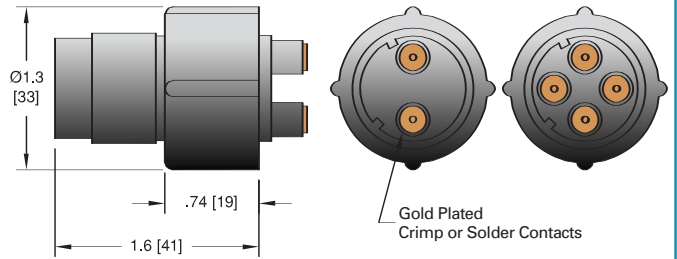
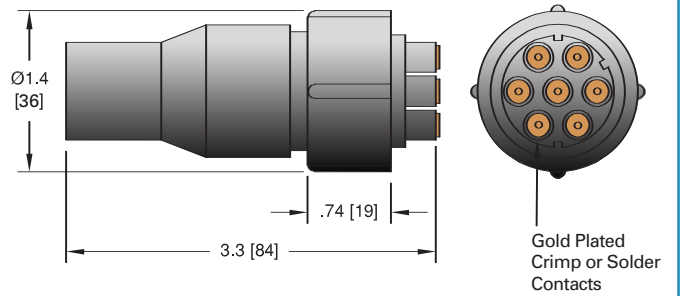




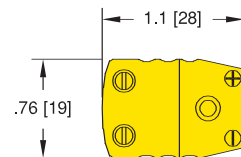
**High Voltage
2 & 4 Contacts**



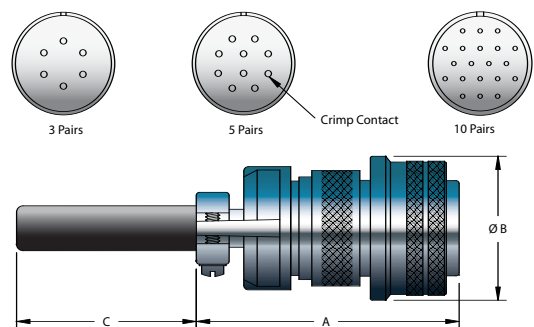
7 Contacts



**Thermocouple
Spade Type**



**Thermocouple
MIL-C-5015 Type**



High Voltage



TYPE	VOLTAGE DC	QTY	CONTACTS AMPS	MATERIAL	TEMPERATURE °C		MAGNETIC MATERIALS	PART NUMBER
					MIN	MAX		
Air Side	12 kV	2	13	Copper Alloy	-15	85	No	2871-02-A†
Air Side	12 kV	4	13	Copper Alloy	-15	85	No	2871-03-A
Air Side	12 kV	7	13	Copper Alloy	-15	85	No	2871-01-A

Thermocouple Spade Type



ANSI TYPE	THERMOCOUPLE MATERIALS	TYPE	PLUG MATERIALS	TEMPERATURE °C		COLOR CODE	MAGNETIC MATERIALS	PART NUMBER
				MIN	MAX			
K	Chromel/Alumel	Standard	Glass Filled Nylon	-29	218	Yellow	Yes	08151-01†
K	Chromel/Alumel	High Temp	Ceramic	-73	650	Yellow	Yes	08151-09
C	Tungsten - Rhenium	Standard	Glass Filled Nylon	-29	218	Red	Yes	08151-04
C	Tungsten - Rhenium	High Temp	Ceramic	-73	250	Red	Yes	08151-07

Thermocouple MIL-C-5015 Type



ANSI TYPE	T/C PAIRS	THERMOCOUPLE MATERIALS	DIMENSIONS			TEMPERATURE °C		MAGNETIC MATERIALS	PART NUMBER
			A	B	C	MIN	MAX		
K	3	Chromel/Alumel	2.6 [65]	1.4 [36]	1.8 [44]	-55	125	Yes	15911-02-A
K	5	Chromel/Alumel	2.6 [65]	1.4 [36]	1.8 [44]	-55	125	Yes	15912-02-A
K	10	Chromel/Alumel	2.9 [74]	1.9 [49]	1.4 [36]	-55	125	Yes	15913-02-A†

Note that contacts are included with all plugs. †Shown in photo.