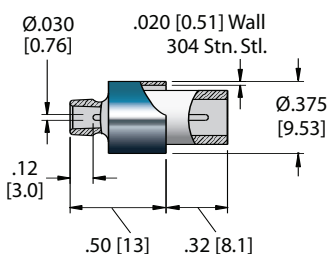
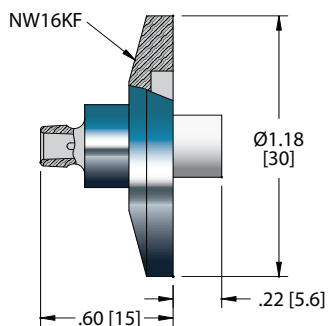


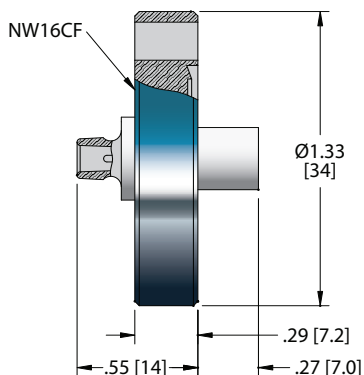
Weldable



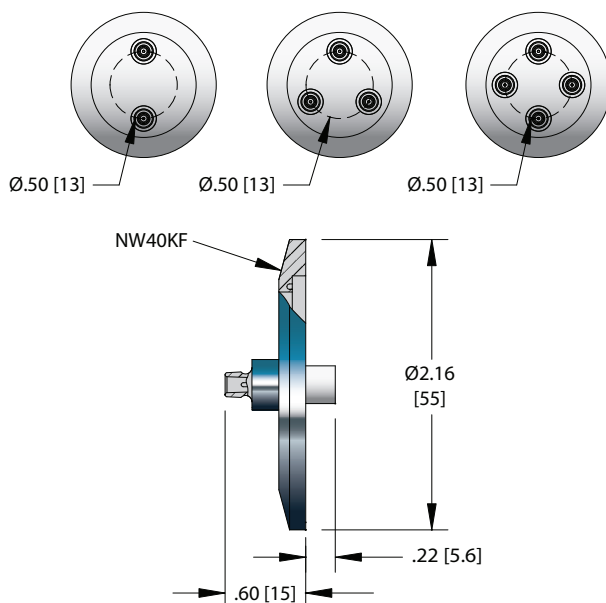
ISO KF - NW16KF



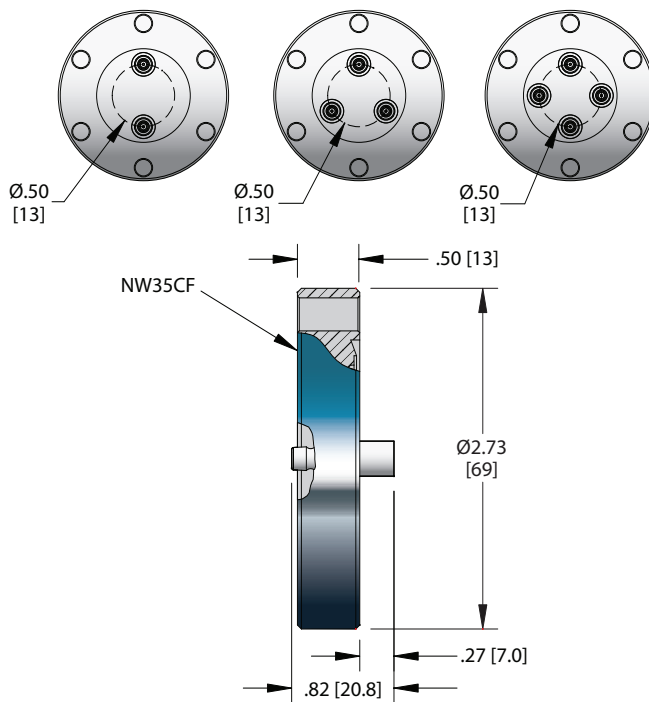
ConFlat - NW16CF



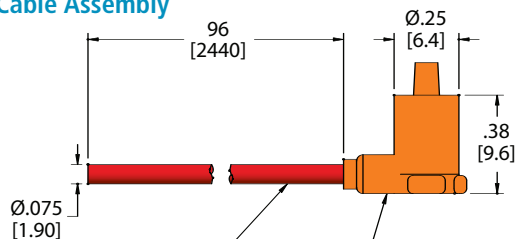
ISO KF - NW40KF



ConFlat - NW35CF



Micro HV Cable Assembly



Cable: 24 AWG SPC Stranded Conductor with Silicone F.E.P Insulation
Body: Molded Silicone Rubber

Specifications - Micro HV

Materials

- Housing: 304 Stainless steel
- Pin: Molybdenum (Gold plated)
- Insulation: Alumina ceramic
- Magnetic Materials: Yes

Voltage Rating 10 kV DC*

Current Rating 3 Amps

Temperature Range -269°C to 450°C, ISO KF -25°C to 205°C

Pressure @ 20°C 1395 PSIG (96 Bar), ISO KF 0 PSIG

*When used with air side cable assembly.



FEEDTHROUGH



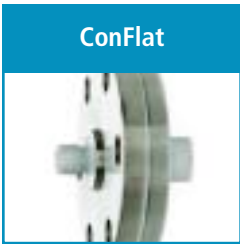
Weldable

NO. PINS	INSTALLATION	PART NUMBER
1	Weld	21140-01-W



ISO KF

ISO FLANGE		
1	NW16KF	21211-01-KF
2	NW40KF	21215-01-KF
3	NW40KF	21216-01-KF
4	NW40KF	21217-01-KF



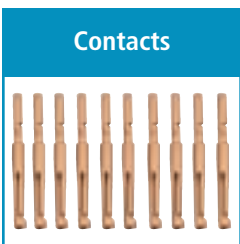
ConFlat

CONFLAT FLANGE		
1	1 1/3" (NW16CF)	21210-01-CF
2	2 3/4" (NW35CF)	21212-01-CF
3	2 3/4" (NW35CF)	21213-01-CF
4	2 3/4" (NW35CF)	21214-01-CF



Air Side Cable Assembly

TYPE	CABLE TYPE	LENGTH	VOLTAGE DC	CONDUCTOR AMPS	TEMPERATURE °C MIN	TEMPERATURE °C MAX	PART NUMBER
Micro HV Air Side	24 AWG	8'	10 kV	3	-55	125	21039-01-A



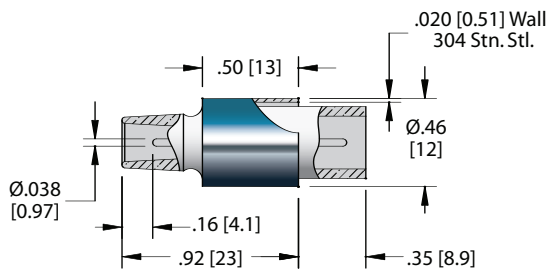
Contacts

TYPE	MATERIAL	DESCRIPTION	PART NUMBER
0.032 Crimp Type Contacts Crimp Tool	Beryllium Copper	Accepts wire up to 0.032 [0.81] For 0.025" - 0.075" Crimp Diameters	11288-02-X 2840-05

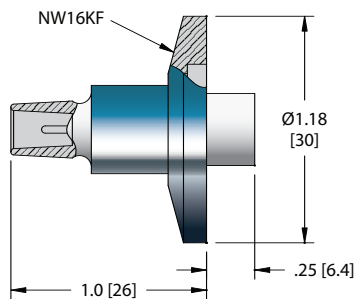
*When used with air side cable assembly. **Contacts priced and sold in packages of 10. See the Accessories section for more information on all accessories.



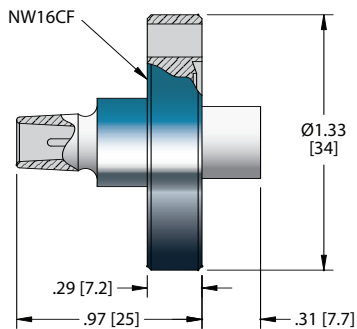
Weldable



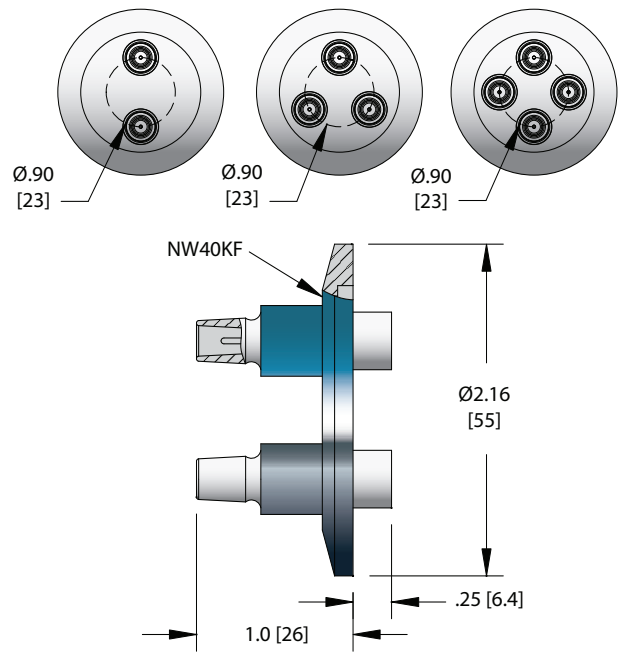
ISO KF - NW16KF



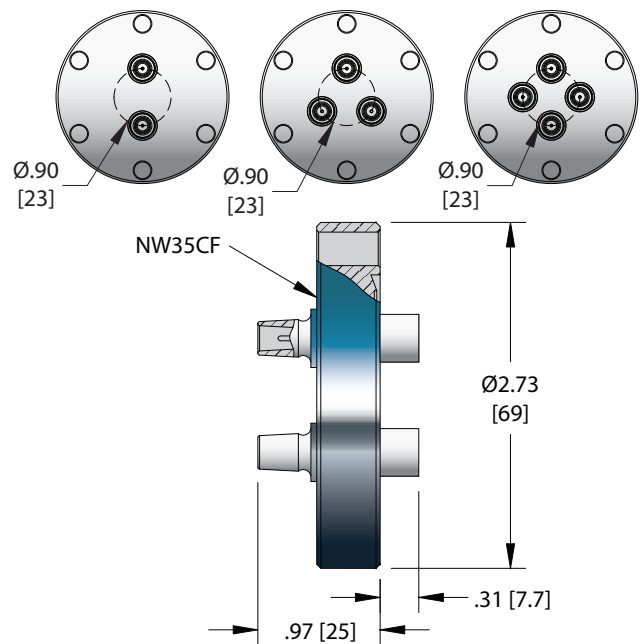
ConFlat - NW16CF



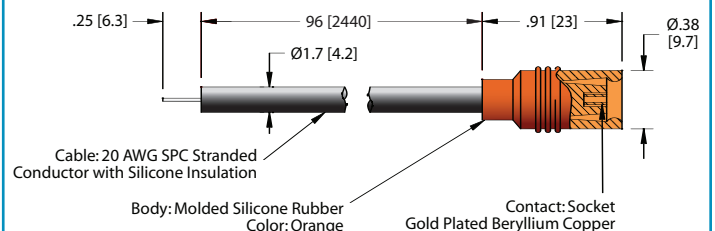
ISO KF - NW40KF



ConFlat - NW35CF



Mini HV Cable Assembly



Specifications - Mini HV

Materials

- Housing: 304 Stainless steel
- Pin: Molybdenum (Gold plated)
- Insulation: Alumina ceramic
- Magnetic Materials: Yes

Voltage Rating 15 kV DC*

Current Rating 7.5 Amps

Temperature Range -269°C to 450°C, ISO KF -25°C to 205°C

Pressure @ 20°C 1100 PSIG (76 Bar), ISO KF 0 PSIG

*When used with air side cable assembly.



FEEDTHROUGH

Weldable

NO. PINS	INSTALLATION	PART NUMBER
1	Weld	21169-01-W

ISO KF

1	NW16KF	21227-01-KF
2	NW40KF	21231-01-KF
3	NW40KF	21232-01-KF
4	NW40KF	21233-01-KF

ConFlat

1	1 1/3" (NW16CF)	21226-01-CF
2	2 3/4" (NW35CF)	21228-01-CF
3	2 3/4" (NW35CF)	21229-01-CF
4	2 3/4" (NW35CF)	21230-01-CF

Air Side Cable Assembly

TYPE	CABLE TYPE	LENGTH	VOLTAGE DC	CONDUCTOR AMPS	TEMPERATURE °C MIN	TEMPERATURE °C MAX	PART NUMBER
Mini HV Air Side	20 AWG	8'	15 kV	7.5	-55	125	21119-01-A

Contacts

TYPE	MATERIAL	DESCRIPTION	PART NUMBER
0.040 Crimp Type Contacts	Copper Alloy - Gold Flash	Accepts wire up to 0.040 [1.0]	16757-02-A
Crimp Tool		For 0.025" - 0.075" Crimp Diameters	2840-05

*When used with air side cable assembly. **Contacts priced and sold in packages of 10. See the Accessories section for more information on all accessories.

