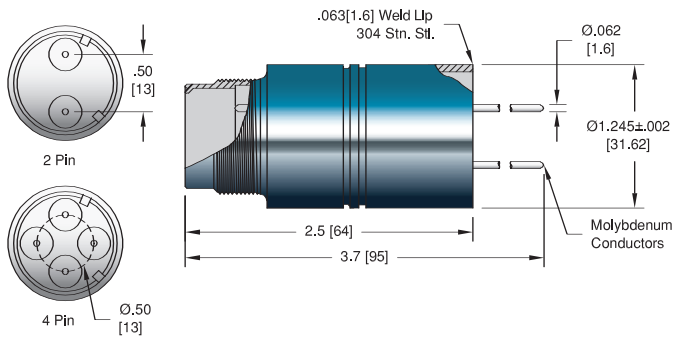
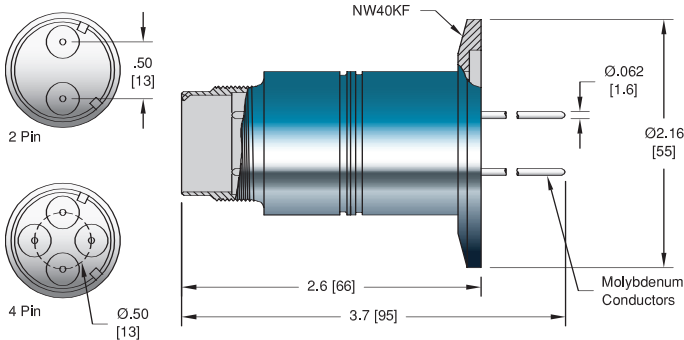


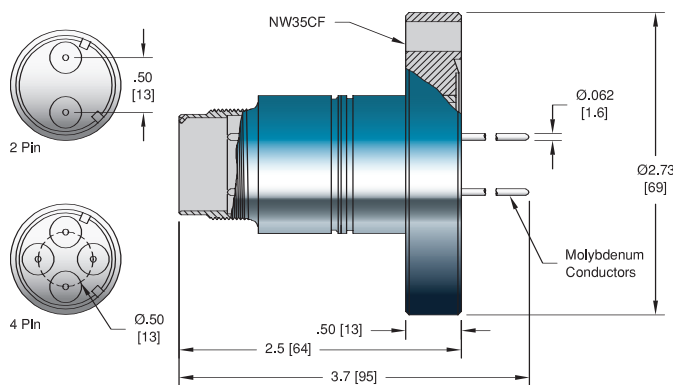
2 and 4 Pin Weldable



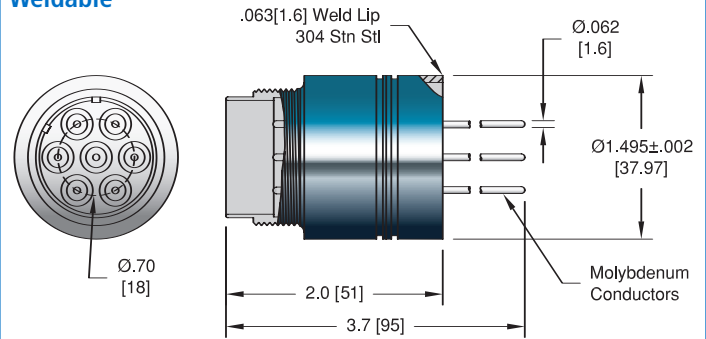
ISO KF



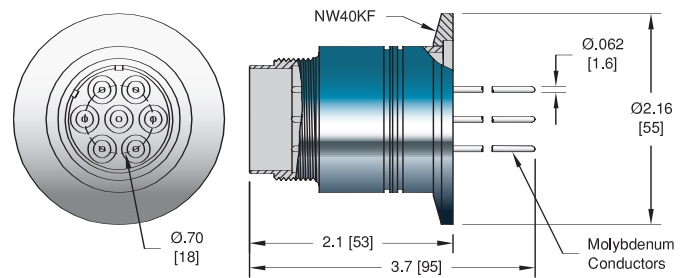
ConFlat



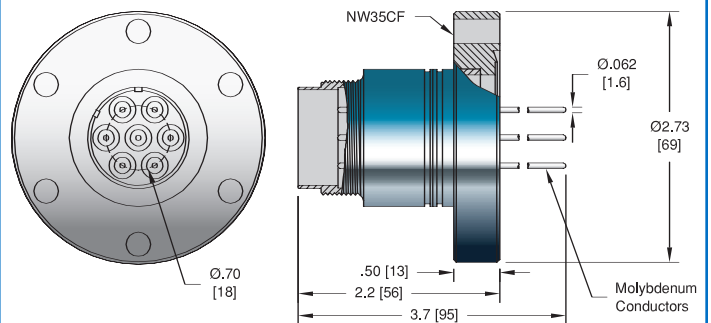
7 Pin Weldable



ISO KF



ConFlat



Specifications

Materials

- Shell: 304 Stainless steel
- Pins: Molybdenum (Nickel plated)
- Insulation: Alumina ceramic
- Magnetic Materials: Yes

Voltage Rating 12 kV DC (pin/pin and pin/shell)

Current Rating 13 Amps per pin

Temperature Range -269°C to 450°C, ISO KF -25°C to 205°C

Pressure @ 20°C ISO KF 0 PSIG

2 Pin - 400 PSIG (28 Bar)

4 Pin - 300 PSIG (20 Bar)

7 Pin - 200 PSIG (14 Bar)



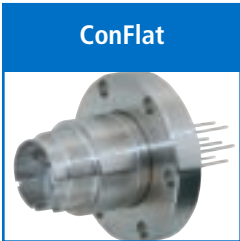
MULTIPIN CONNECTOR



NO. PINS	INSTALLATION	PART NUMBER
2	Weld	12475-03-W
4	Weld	12475-04-W
7	Weld	12867-06-W



ISO FLANGE		
2	NW40KF	17157-02-KF
4	NW40KF	17158-02-KF
7	NW40KF	17159-02-KF

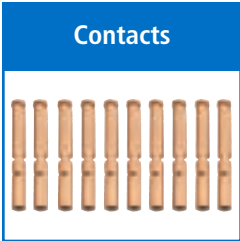


CONFLAT FLANGE		
2	2 3/4" (NW35CF)	12476-03-CF
4	2 3/4" (NW35CF)	12476-04-CF
7	2 3/4" (NW35CF)	12867-07-CF



TYPE	VOLTAGE DC	CONDUCTOR AMPS	NO. CONTACTS	DIMENSIONS		PART NUMBER
				H	L	
Air Side	12 kV	13	2	1.3 [33]	1.6 [41]	2871-02-A
Air Side	12 kV	13	4	1.3 [33]	1.6 [41]	2871-03-A
Air Side	12 kV	13	7	1.4 [37]	3.3 [84]	2871-01-A

Note that contacts are included with all plugs.



TYPE	MATERIAL	DESCRIPTION	PART NUMBER
0.062 Crimp Type Contacts	Beryllium Copper	Accepts .050 [1.3] Pin	11911-02-X†
0.062 Set Screw Type Contacts	Beryllium Copper	Accepts .062 [1.6] Pin	7429-02-A
0.062 Barrel Type Contacts	Beryllium Copper	Accepts .062 [1.6] Pin	7332-02-A
Crimp Tool		For 0.025" – 0.075" Crimp Diameters	2840-05

*Contacts priced and sold in packages of 10. †Shown in photo. See the Accessories section for more information on all accessories.

