



Specifications

Materials

Housing: 304 Stainless steel
 Pin: Inconel X-750
 Contacts: 300 Series Stainless steel
 Insulation: Glass-ceramic
 Magnetic Materials: No

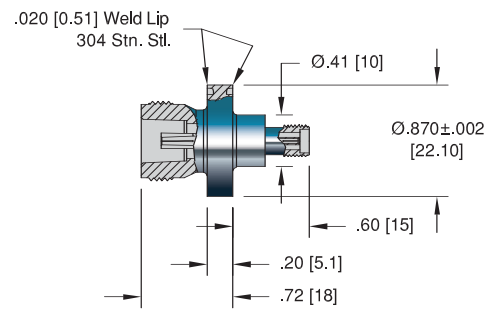
Voltage Rating 1.5 kV DC

Current Rating 1 Amp

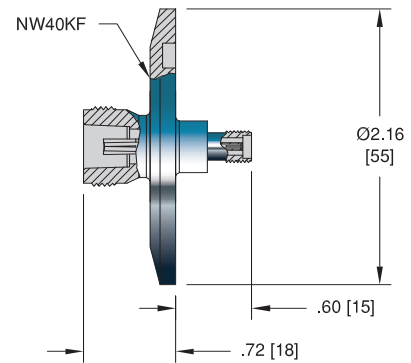
Temperature Range -269°C to 350°C, ISO KF -25°C to 205°C

Pressure @ 20°C 1400 PSIG (97 Bar), ISO KF 0 PSIG

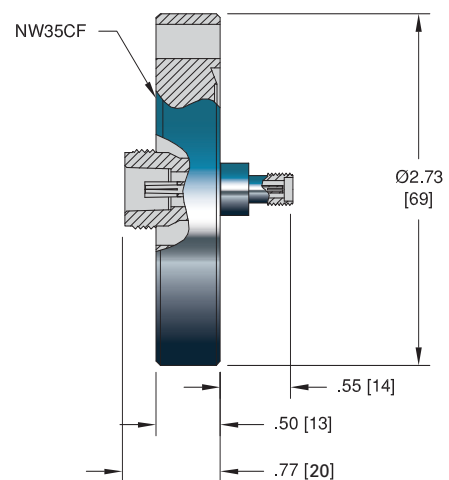
Weldable



ISO KF



ConFlat





COAXIAL

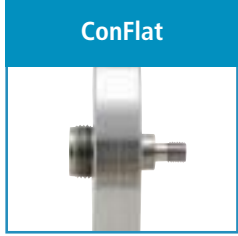


INSTALLATION	PART NUMBER
Weld	15025-02-W



ISO FLANGE

NW40KF	18083-02-KF
--------	-------------



CONFLAT FLANGE

2 3/4" (NW35CF)	18084-02-CF
-----------------	-------------



TYPE	VOLTAGE DC	CONDUCTOR AMPS	DIMENSIONS H L		DESCRIPTION	PART NUMBER
Air Side	1.5 kV	5	0.81 [20]	1.5 [38]	Type N Plug	7707-01



TYPE	LENGTH	VOLTAGE DC	CONDUCTOR AMPS	TEMPERATURE MIN MAX		PART NUMBER
50 Ohm Type N – Double Ended	10'	1.5 kV	5	-55	85	21619-01-A

See the Accessories section for more information on all accessories.

