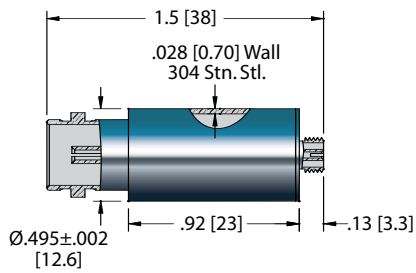
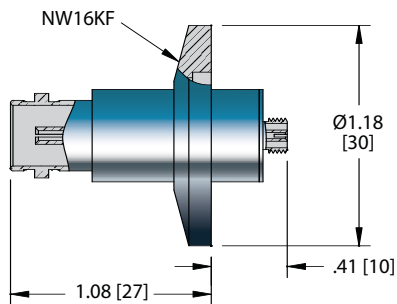


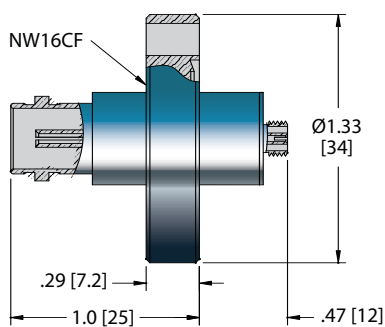
Weldable



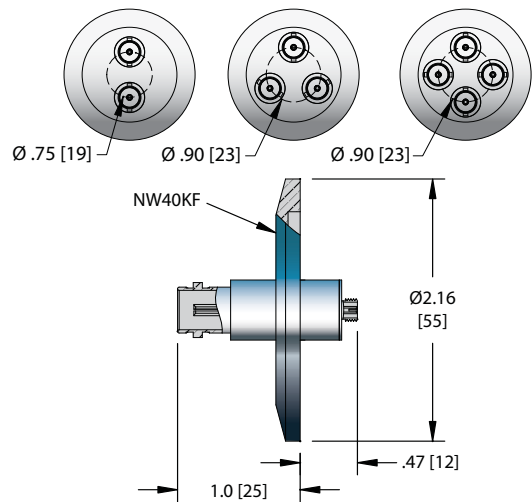
ISO KF - NW16KF



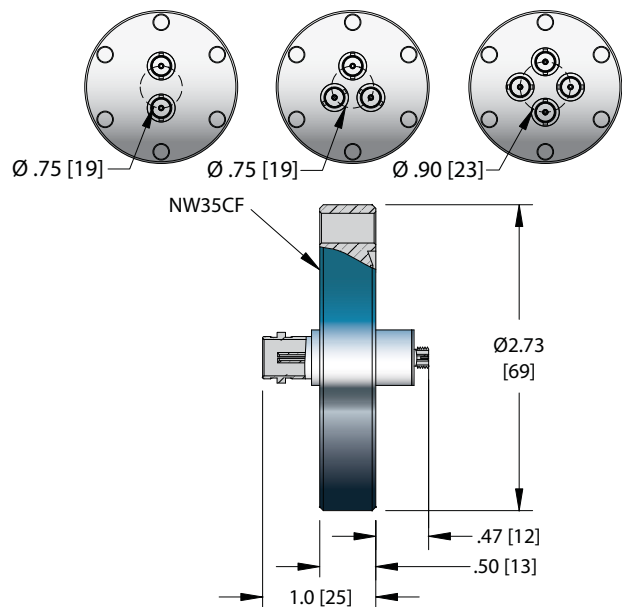
ConFlat - NW16CF



ISO KF - NW40KF



ConFlat - NW35CF



Specifications

Materials

Housing: 304 Stainless steel
Pin: 330 Stainless steel
Insulation: Glass-ceramic
Magnetic Materials: No

Voltage Rating 500 V DC

Current Rating 5 Amps

Temperature Range -269°C to 450°C, ISO KF -25°C to 205°C

Pressure @ 20°C 1400 PSIG (97 Bar), ISO KF 0 PSIG



Weldable

NO. PINS	INSTALLATION	PART NUMBER
1	Weld	21254-01-W



ISO KF

ISO FLANGE		
1	NW16KF	21256-01-KF
1	NW40KF	21292-01-KF
2	NW40KF	21261-01-KF
3	NW40KF	21262-01-KF
4	NW40KF	21263-01-KF



ConFlat

CONFLAT FLANGE		
1	1 1/3" (NW16CF)	21255-01-CF
1	2 3/4" (NW35CF)	21291-01-CF
2	2 3/4" (NW35CF)	21257-01-CF
3	2 3/4" (NW35CF)	21258-01-CF
4	2 3/4" (NW35CF)	21259-01-CF



Air Side Plug

TYPE	DIMENSIONS H L		DESCRIPTION	PART NUMBER
Air Side	0.56 [14]	1.1 [27]	BNC Plug	7116-02



Air Side Cable Assembly

TYPE	LENGTH	VOLTAGE DC	CONDUCTOR AMPS	TEMPERATURE MIN MAX		PART NUMBER
50 Ohm BNC – Double Ended	10'	500 V	5	-40	85	18921-01-A



Vacuum Side Cable Assemblies

TYPE	LENGTH	VOLTAGE DC	CONDUCTOR AMPS	TEMPERATURE MIN MAX		PART NUMBER
Microdot Vacuum Side – Double Ended	12"	500 V	2	-65°C	125°C	15767-12-A
Microdot Vacuum Side – Double Ended	24"	500 V	2	-65°C	125°C	15767-24-A
Microdot Vacuum Side – Double Ended	36"	500 V	2	-65°C	125°C	15767-36-A†

†Shown in photo. See the Accessories section for more information on all accessories.