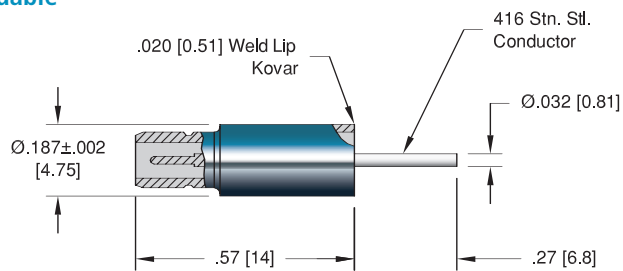
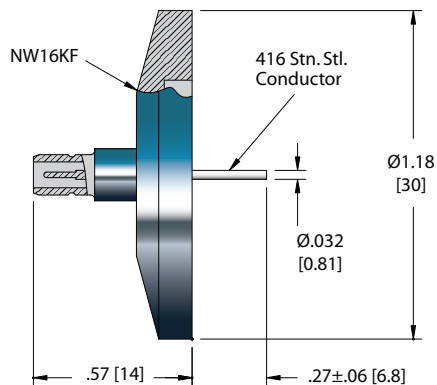


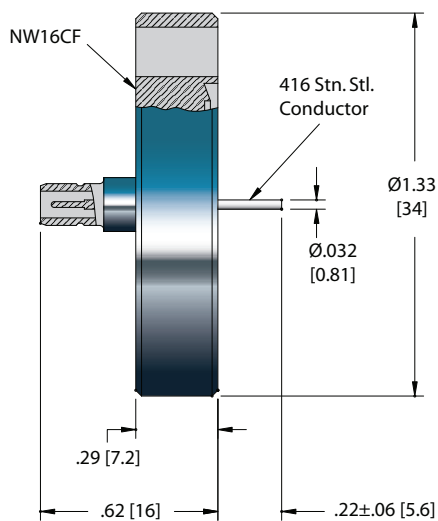
## Weldable



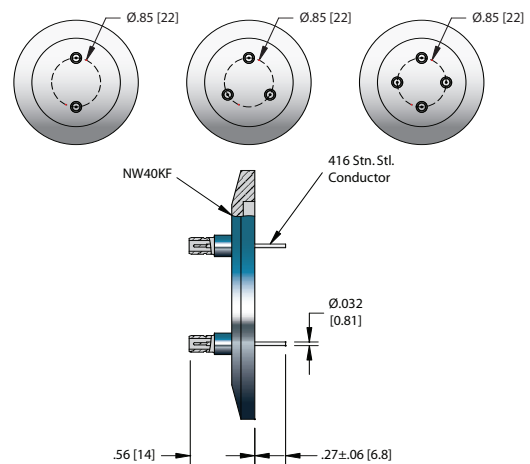
## ISO KF - NW16KF



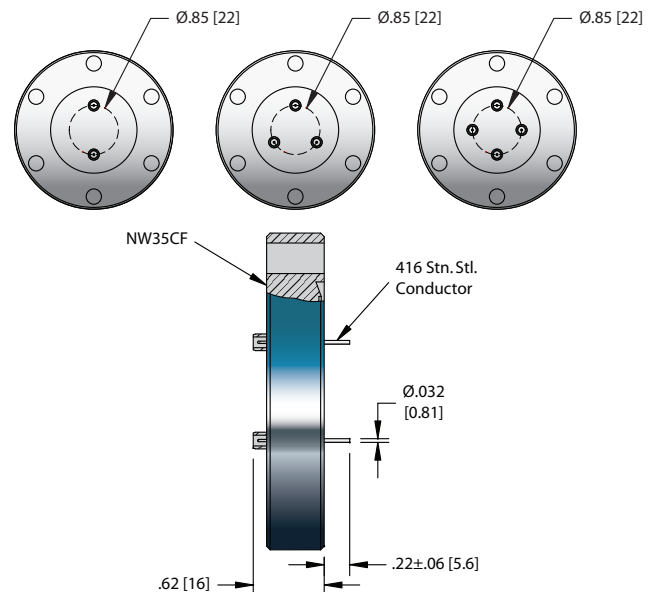
## ConFlat - NW16CF



## ISO KF - NW40KF



## ConFlat - NW35CF



## Specifications

## Materials

Housing: Kovar  
Pin: 416 Stainless steel  
Insulation: Alumina ceramic  
Magnetic Materials: Yes

**Voltage Rating** 500 V DC

**Current Rating** 1.4 Amps

**Temperature Range** -55°C to 450°C, ISO KF -25°C to 205°C

**Pressure @ 20°C** See table



**Weldable**

NO. PINS	INSTALLATION	PRESSURE @ 20°C		PART NUMBER
		PSIG	BAR	
1	Weld	3500	241	0713-02-W

**ISO KF**

**ISO FLANGE**

1	NW16KF	-	-	21371-01-KF
2	NW40KF	-	-	21379-01-KF
3	NW40KF	-	-	21381-01-KF
4	NW40KF	-	-	21383-01-KF

**ConFlat**

**CONFLAT FLANGE**

1	1 1/3" (NW16CF)	3000	207	21369-01-CF
2	2 3/4" (NW35CF)	1500	103	21373-01-CF
3	2 3/4" (NW35CF)	1500	103	21375-01-CF
4	2 3/4" (NW35CF)	1500	103	21377-01-CF

**Air Side Plug**

TYPE	VOLTAGE DC	CONDUCTOR AMPS	DIMENSIONS		DESCRIPTION	PART NUMBER
			H	L		
Air Side	375 V	5	0.25 [6.4]	0.71 [18]	SMB Plug	3095-12

**Air Side Cable Assembly**

TYPE	LENGTH	VOLTAGE DC	CONDUCTOR AMPS	TEMPERATURE		PART NUMBER
				MIN	MAX	
50 Ohm SMB – Double Ended	10'	500 V	2	-70	200	21618-01-A

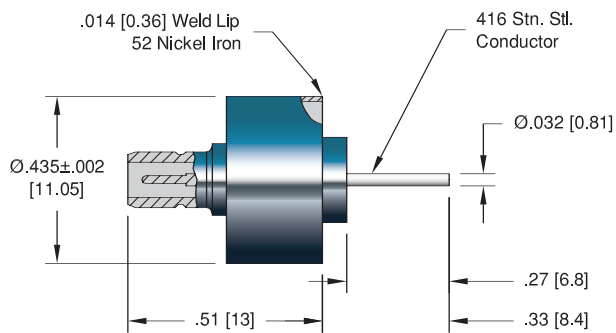
**Contacts**

TYPE	MATERIAL	DESCRIPTION	PART NUMBER
0.032 Crimp Contacts Crimp Tool	Beryllium Copper	Accepts wire up to 0.032 [0.81] For 0.025" – 0.075" Diameters	11288-02-X 2840-05

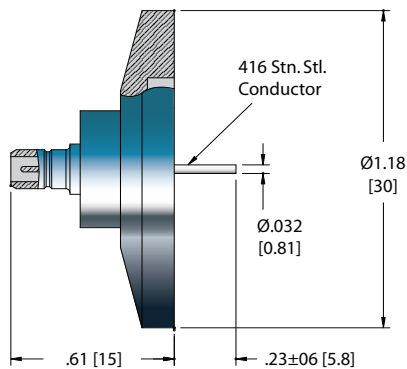
\*Contacts priced and sold in packages of 10. See the Accessories section for more information on all accessories.



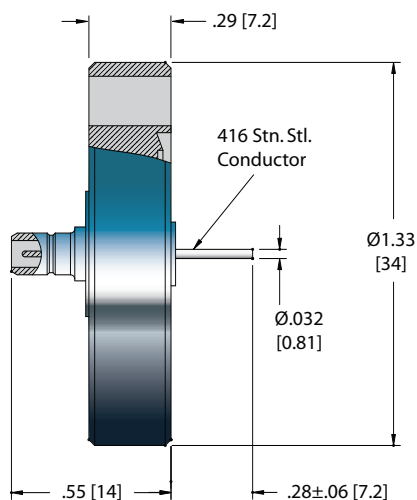
## Weldable



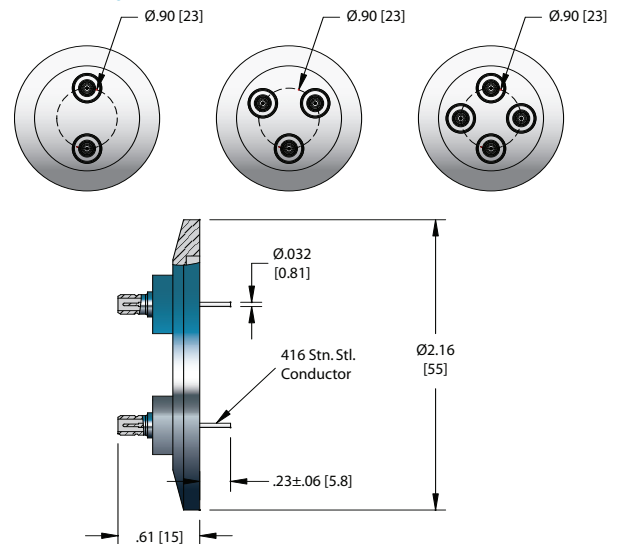
## ISO KF - NW16KF



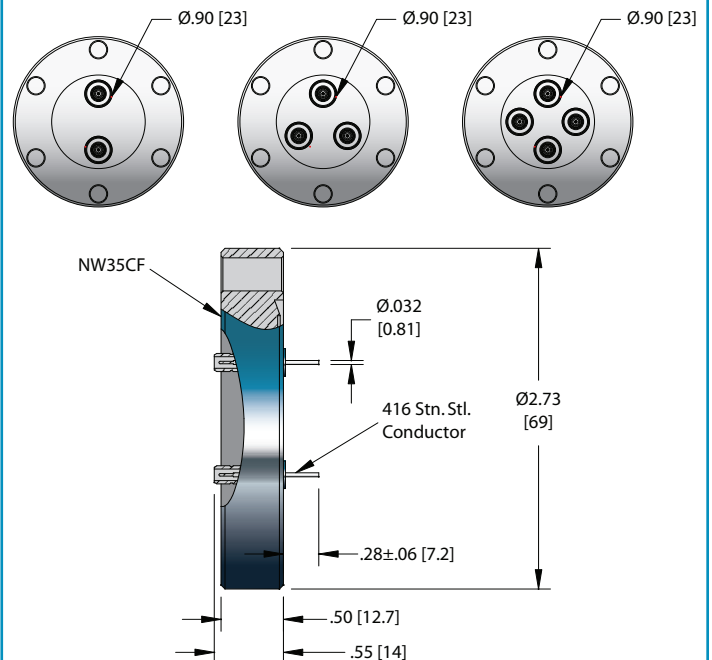
## ConFlat - NW16CF



## ISO KF - NW40KF



## ConFlat - NW35CF

Specifications  
Materials

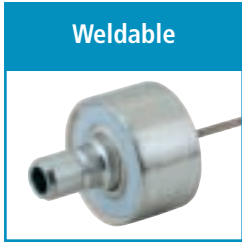
Housing: 52 Nickel Iron  
Pin: 416 Stainless steel  
Insulation: Alumina ceramic  
Magnetic Materials: Yes

**Voltage Rating** Pin/Shield: 500 V DC, Shield/Grd: 1 kV DC

**Current Rating** 1.4 Amps

**Temperature Range** -55°C to 450°C, ISO KF -25°C to 205°C

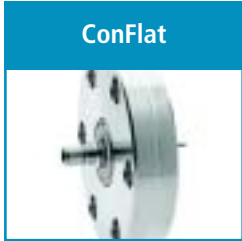
**Pressure @ 20°C** 500 PSIG (35 Bar), ISO KF 0 PSIG



NO. PINS	INSTALLATION	PART NUMBER
1	Weld	0714-02-W



ISO FLANGE		
1	NW16KF	21396-01-KF
2	NW40KF	21403-01-KF
3	NW40KF	21405-01-KF
4	NW40KF	21407-01-KF



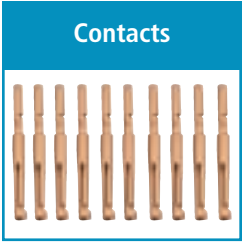
CONFLAT FLANGE		
1	1 1/3" (NW16CF)	21394-01-CF
2	2 3/4" (NW35CF)	21397-01-CF
3	2 3/4" (NW35CF)	21399-01-CF
4	2 3/4" (NW35CF)	21401-01-CF



TYPE	VOLTAGE DC	CONDUCTOR AMPS	DIMENSIONS H L		DESCRIPTION	PART NUMBER
Air Side	375 V	5	0.25 [6.4]	0.71 [18]	SMB Plug	3095-12



TYPE	LENGTH	VOLTAGE DC	CONDUCTOR AMPS	TEMPERATURE MIN	TEMPERATURE MAX	PART NUMBER
50 Ohm SMB – Double Ended	10'	500 V	2	-70	200	21618-01-A



TYPE	MATERIAL	DESCRIPTION	PART NUMBER
0.032 Crimp Contacts Crimp Tool	Beryllium Copper	Accepts wire up to 0.032 [0.81] For 0.025" – 0.075" Diameters	11288-02-X 2840-05

\*Contacts priced and sold in packages of 10. See the Accessories section for more information on all accessories.

COAXIAL