



## Specifications

### Materials

Housing: 304 Stainless steel  
Pin: 70/30 Copper Nickel  
Insulation: Alumina ceramic  
Magnetic Materials: No

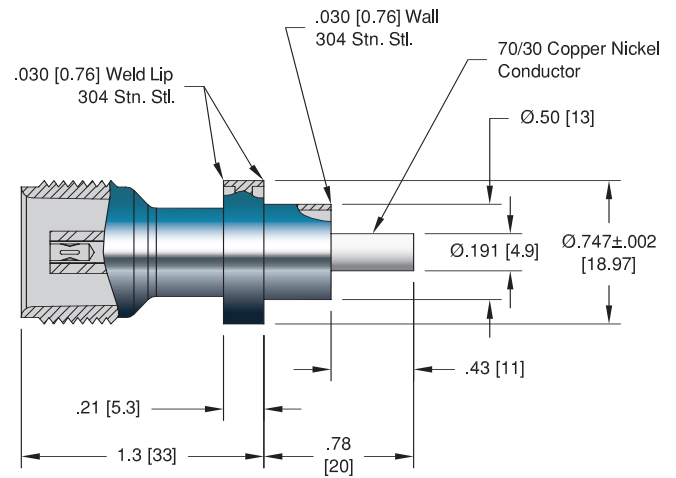
**Voltage Rating** 7 kV DC

**Current Rating** 7 Amps

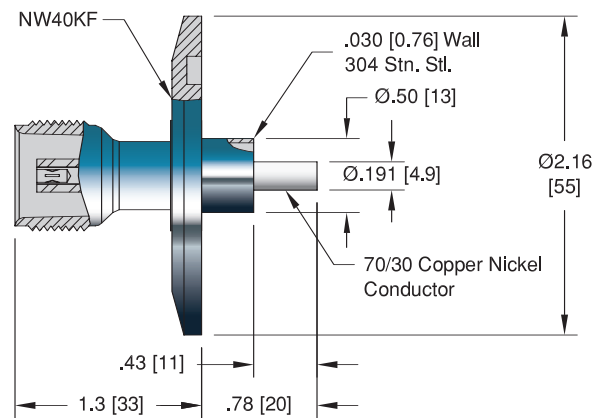
**Temperature Range** -269°C to 450°C, ISO KF -25°C to 205°C

**Pressure @ 20°C** 320 PSIG (22 Bar), ISO KF 0 PSIG

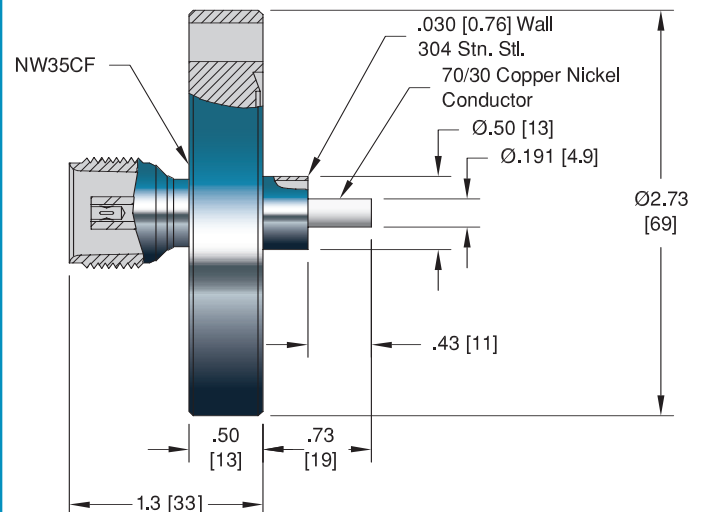
### Single Ended – Grounded Shield Weldable



### ISO KF



### ConFlat





COAXIAL

**Weldable**

INSTALLATION
Weld

PART NUMBER
1084-01-W

**ISO KF**

ISO FLANGE
NW40KF

PART NUMBER
18072-01-KF

**ConFlat**

CONFLAT FLANGE
2 3/4" (NW35CF)

PART NUMBER
10339-02-CF

**Air Side Plug**

TYPE	VOLTAGE DC	CONDUCTOR AMPS	DIMENSIONS		DESCRIPTION
			H	L	
Air Side	7 kV	10	0.88 [22]	2.4 [61]	HN Plug

PART NUMBER
6524-05

**Contacts**

TYPE	MATERIAL	DESCRIPTION
0.250 Barrel Type Contacts	Beryllium Copper	Accepts wire up to 0.250 [6.4]

PART NUMBER
7332-06-A

\*Contacts priced and sold in packages of 10. See the Accessories section for more information on all accessories.