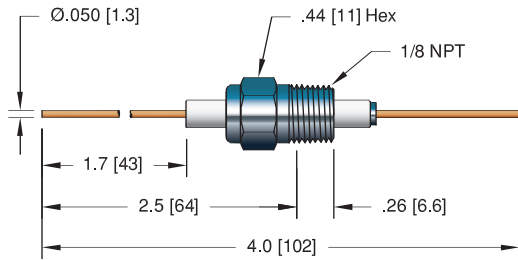
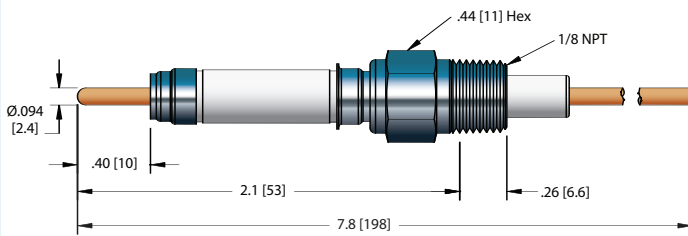


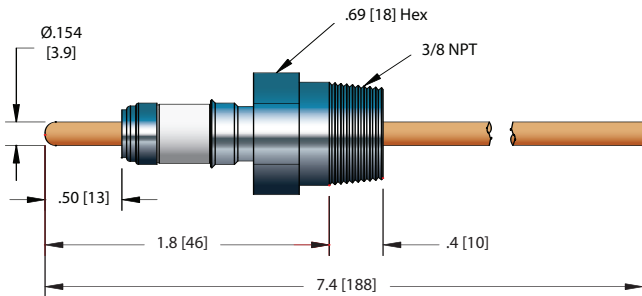
.050 [1.3] Dia. Conductor – 1/8" NPT



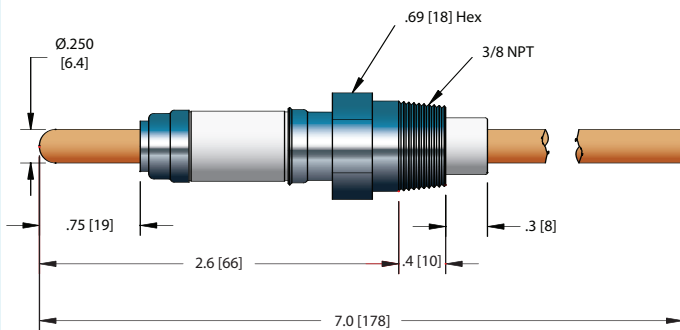
20 KV Power Plug – 1/8" NPT



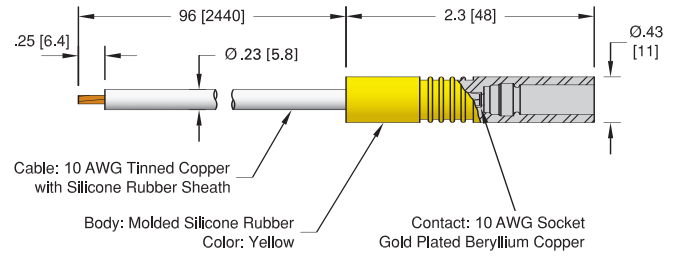
.154 Power Plug – 3/8" NPT



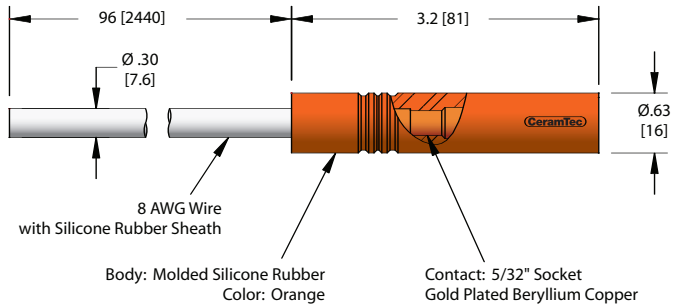
.250 Power Plug – 3/8" NPT



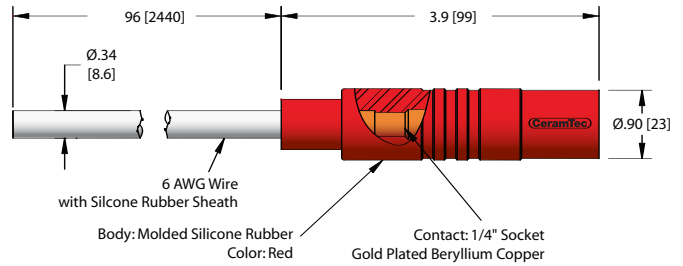
**Power Plug Cable Assemblies
20 kV Power Plug**



.154 Power Plug



.250 Power Plug



Feedthrough Specifications

Materials

- NPT Fitting: 316 Stainless steel
- Conductor: Copper or 304 Stainless steel
- Insulation: Alumina ceramic
- Magnetic Materials: See table

Voltage Rating See table

Current Rating See table

Temperature Range -269°C to 450°C

Pressure @ 20°C See table



.050 [1.3] Dia. Conductor, 1/8" NPT



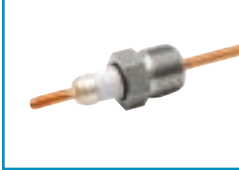
VOLTAGE DC	CONDUCTOR AMPS	MATERIAL	INSTALLATION	PRESSURE@20°C PSIG	BAR	MAGNETIC MATERIALS	PART NUMBER
5 kV	27	Copper	1/8" NPT	4000	275	Yes	2846-01-A

20 KV Power Plug 1/8" NPT



20 kV*	3.6	304 Stn. Stl.	1/8" NPT	4000	275	No	21322-01-A
20 kV*	55	Copper	1/8" NPT	4000	275	No	21324-01-A

.154 Power Plug 3/8" NPT



10 kV*	100	Copper	3/8" NPT	1000	69	Yes	21152-01-A
--------	-----	--------	----------	------	----	-----	------------

.250 Power Plug 3/8" NPT



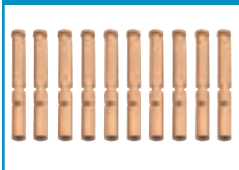
25 kV*	185	Copper	3/8" NPT	1000	69	Yes	21143-01-A
--------	-----	--------	----------	------	----	-----	------------

Air Side Cable Assemblies



TYPE	CABLE TYPE	LENGTH	VOLTAGE DC	CONDUCTOR AMPS	TEMPERATURE °C MIN	MAX	PART NUMBER
20 kV Power Plug	10 AWG	8'	20 kV	55	-55	125	14419-02-A
.154 Power Plug	8 AWG	8'	10 kV	75	-55	125	21094-01-A
.250 Power Plug	6 AWG	8'	25 kV	100	-55	125	20956-02-A [†]

Contacts

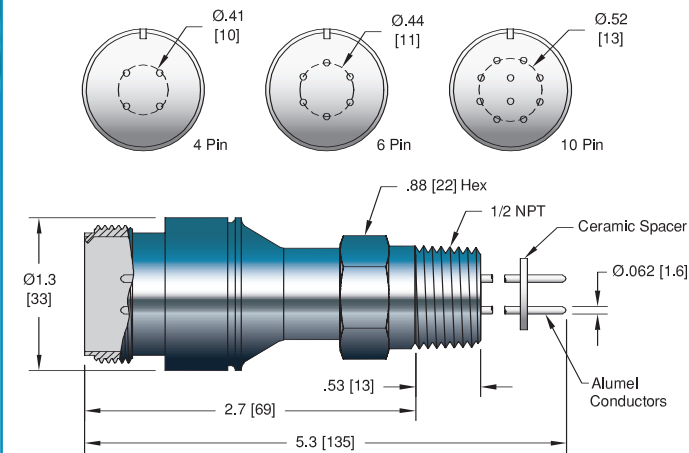
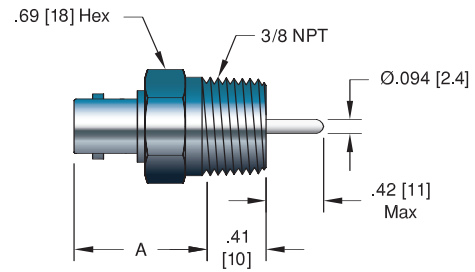


TYPE	MATERIAL	DESCRIPTION	PART NUMBER
0.050 Crimp Contacts	Beryllium Copper	Accepts wire up to 0.062 [1.6]	11911-02-X [†]
0.094 Set Screw Type Contacts	Beryllium Copper	Accepts wire up to 0.050 [1.3]	7429-01-A
0.094 Barrel Type Contacts	Beryllium Copper	Accepts wire up to 0.094 [2.4]	7332-04-A
0.154 Barrel Type Contacts	Beryllium Copper	Accepts wire up to 0.154 [3.9]	7332-07-A
0.250 Barrel Type Contacts	Beryllium Copper	Accepts wire up to 0.250 [6.4]	7332-06-A
Crimp Tool		For 0.025" - 0.075" Crimp Diameters	2840-05

*When used with airside cable assembly. **Contacts priced and sold in packages of 10. [†]Shown in photo. See the Accessories section for more information on all accessories. Note that voltage ratings are based on a minimum of 250 volts DC per mil dielectric strength on the pressure side.

PRESSURE



MIL-C-5015 Type – 1/2" NPT**Coaxial – 3/8" NPT****Specifications - Multipin Connector****Materials**

NPT Fitting: 316 Stainless steel
 Conductor: Alumel
 Insulation: Alumina ceramic
 Magnetic Materials: Yes

Voltage Rating 700 V DC

Current Rating 7 Amps per pin

Temperature Range -269°C to 450°C

Pressure @ 20°C

4 Pin: 600 (41 Bar)
 6 Pin: 550 (38 Bar)
 10 Pin: 500 (34 Bar)

Specifications - Coaxial Connector**Materials**

NPT Fitting: 316 Stainless steel
 Conductor:
 BNC: 304 Stainless steel
 MHV: 304 Stainless steel
 SHV: Nickel
 Insulation: Alumina ceramic
 Magnetic Materials:
 BNC: No
 MHV: No
 SHV: Yes

Voltage Rating BNC: 500 V, MHV: 5 kV, SHV: 5 kV DC

Current Rating

BNC: 3.6 Amps, MHV: 3.6 Amps, SHV: 16.5 Amps

Temperature Range -269°C to 450°C

Pressure @ 20°C

BNC: 1400 (97 Bar)
 MHV: 1400 (97 Bar)
 SHV: 1600 (110 Bar)



CONDUCTOR QTY	AMPS	INSTALLATION	PART NUMBER
4	7	1/2" NPT	10184-08-A†
6	7	1/2" NPT	10185-08-A
10	7	1/2" NPT	10094-11-A



NO. CONTACTS	VOLTAGE DC	CONDUCTOR AMPS	TYPE	DIMENSIONS H L		PART NUMBER
4	700 V	13	Air Side	1.4 [36]	4.4 [112]	15910-01-A†
6	700 V	13	Air Side	1.4 [36]	4.4 [112]	15911-01-A
10	700 V	13	Air Side	1.4 [36]	4.4 [112]	15912-01-A



COAXIAL TYPE	CONDUCTOR AMPS	MATERIAL	DIMENSION A	PART NUMBER
BNC	3.6	304 Stn. Stl.	0.90 [23]	9263-04-A†
MHV	3.6	304 Stn. Stl.	0.90 [23]	9263-03-A
SHV	16.5	Nickel	1.2 [30]	9263-06-A



TYPE	VOLTAGE DC	CONDUCTOR AMPS	DIMENSIONS H L		DESCRIPTION	PART NUMBER
Air Side	500 V	5	0.56 [14]	1.1 [28]	BNC Plug	7116-02†
Air Side	5 kV	10	0.56 [14]	1.5 [38]	MHV Plug	7116-01
Air Side	5 kV	10	0.56 [14]	1.8 [46]	SHV 5 kV Plug	8058-01†

†Shown in photo.

